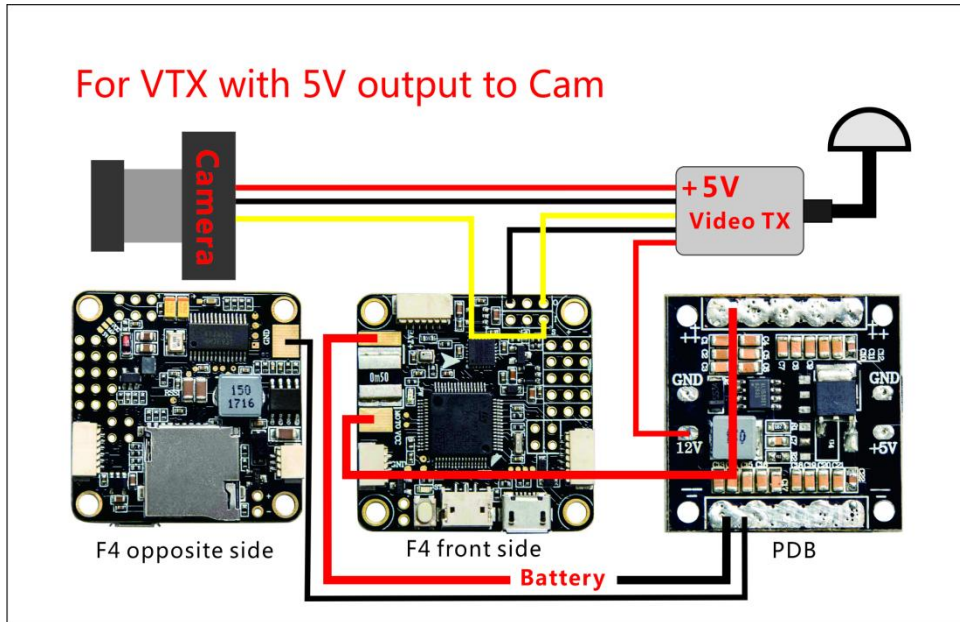


AKK F4 Support SD Card Wiring Instruction

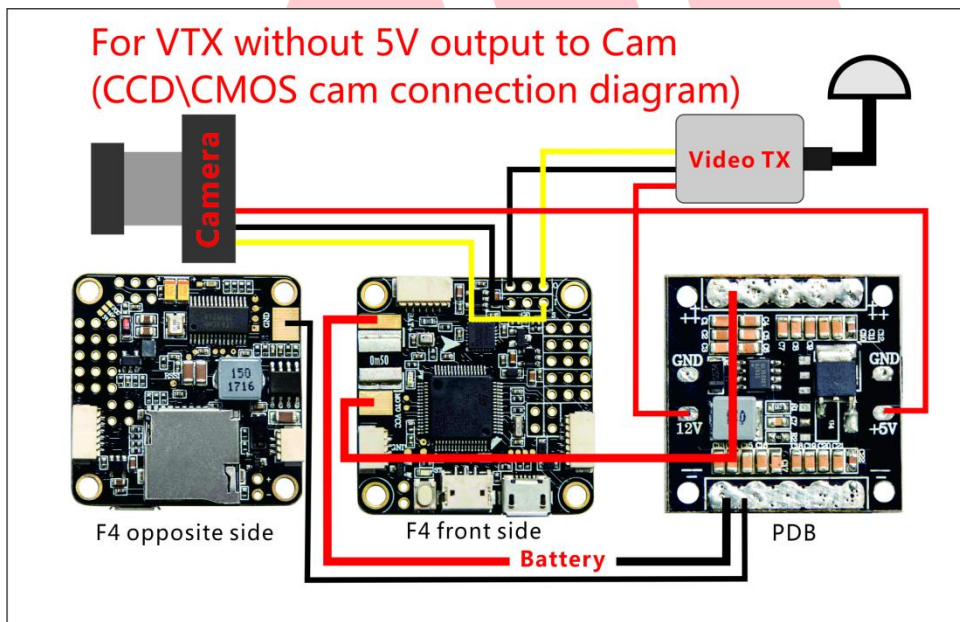
1. For VTX with 5V output to cam

The VTX positive pole is connected to PDB 12V, the negative pole is connected to the FC J16 AGND; The camera 5V input is connected to transmitter 5V output; The VTX video is connected to J16 VOUT, The camera is connected to J17 VIN. shown as below:

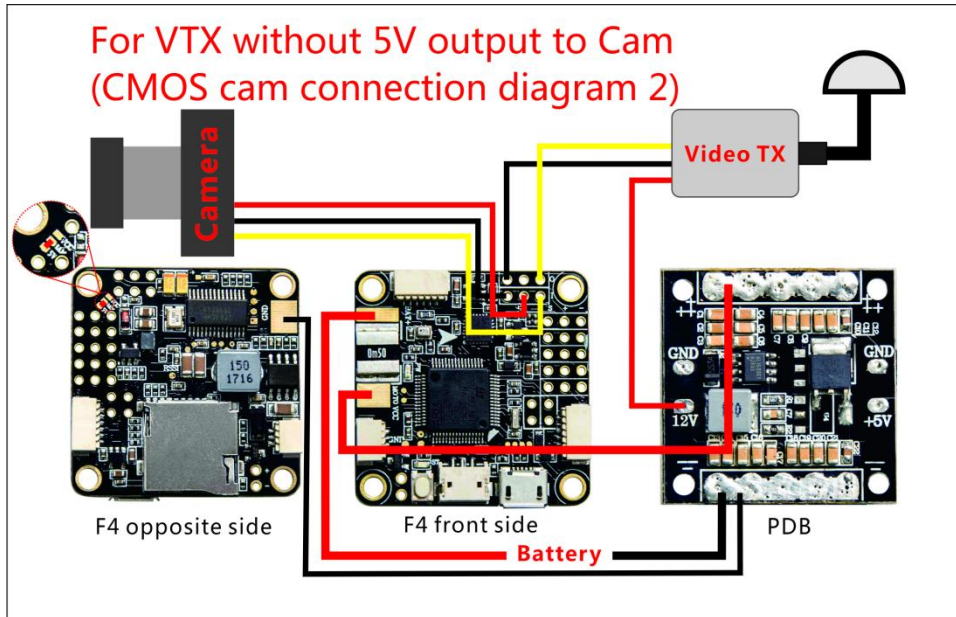


2. For VTX without 5V output to Cam:

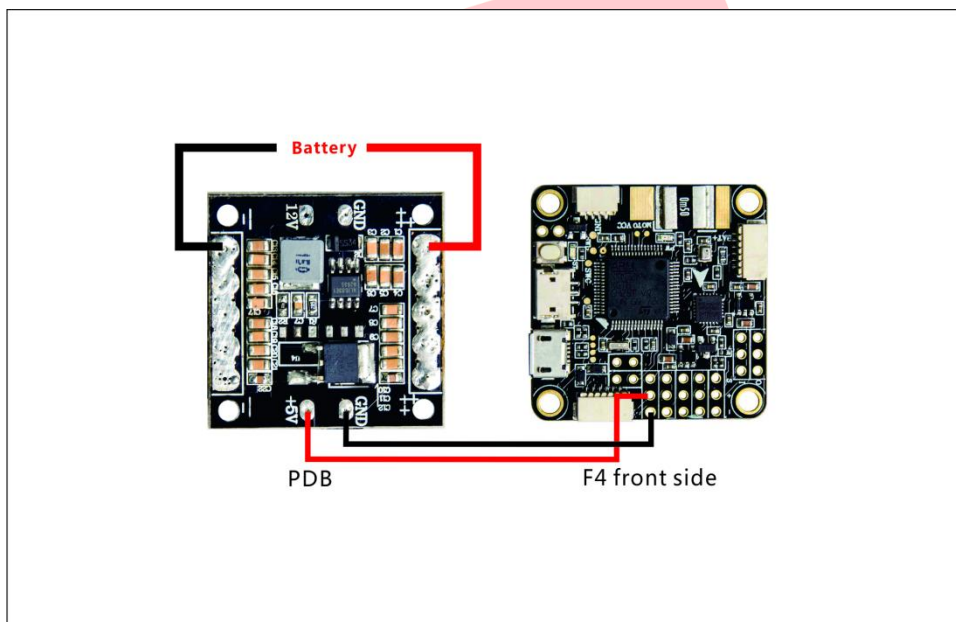
i). CCD and CMOS Camera: The VTX positive pole is connected to PDB 12V, the negative pole is connected to the FC J16 AGND; The camera positive pole is connected to PDB 5V; GND connected to J17 AGND and video is connected to VIN. Shown as below:



ii). CMOS camera 5V can also be connected to the J17 RAW, but need to short circuit J3 RAW and 5V solder joints



3. Stripes appear when some racing drone up/down throttle, if you do want to fix it, please connect the battery power cord to PDB power input, PDB output 5V to FC 5V (PDB must have sufficient current for 5V output)



ANN