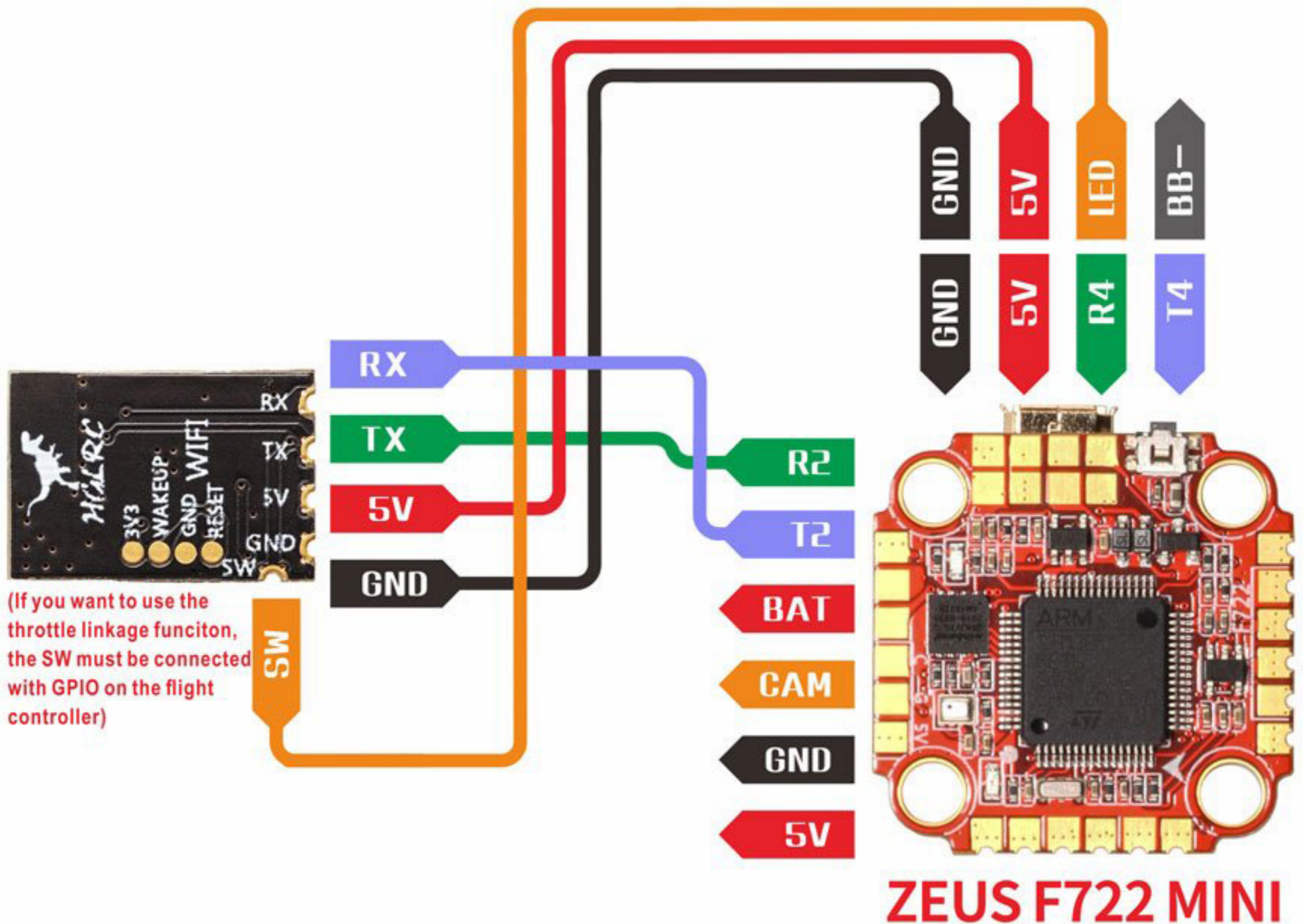


## Throttle linkage wiring diagram



## Throttle linkage setting method

1. Using the above wiring diagram as an example, WIFI is connected to Tx2/ RX2, which is the UART2 of the flight controller.
  2. Support the throttle linkage of BetaFlight. 2. 4G WiFi signal is turned off automatically during flight to avoid interfering with the signal of remote controller ; enable it after landing so as to adjust parameters. The binding can be completed by adding following four lines of on CLI :
    - a. The WIFI SW should be changed to the pad connected to the LED. For example, if the LED is A08, the first command line should be:  
`resource PINIO 1 A08`
    - b. The second part of the second line is the serial number -1 connected to the wifi module. The serial port is 2, and the corresponding serial number is 1. The command line is as follows:  
`serial 1 1 115200 57600 0 115200`
    - c. The following two lines do not need to be changed, just copy & paste them directly  
`set pinio_config = 129,1,1,1`  
`set pinio_box = 0,255,255,255`
- (Note: Be sure to connect the spare serial port or WIFI dedicated serial port.)

**(Note: Be sure to connect the spare serial port or WIFI dedicated serial port.)**

flight controller soldering pad	F411	F722	F722 mini
S5	B03	A15	A15
S6	/	B03	B03
S7	/	B06	B06
S8	/	B07	B07
LED	A08	A08	A08

**The above is the name of the pad corresponding to the HGLRC ZEUS flight controller (For flight controllers of other brands, you can enter "dump" in the CLI to query the command name of the connected pad.)**

```
resource SONAR_ECHO 1 NONE
resource LED_STRIP 1 A08
resource SERIAL_TX 1 A09
```

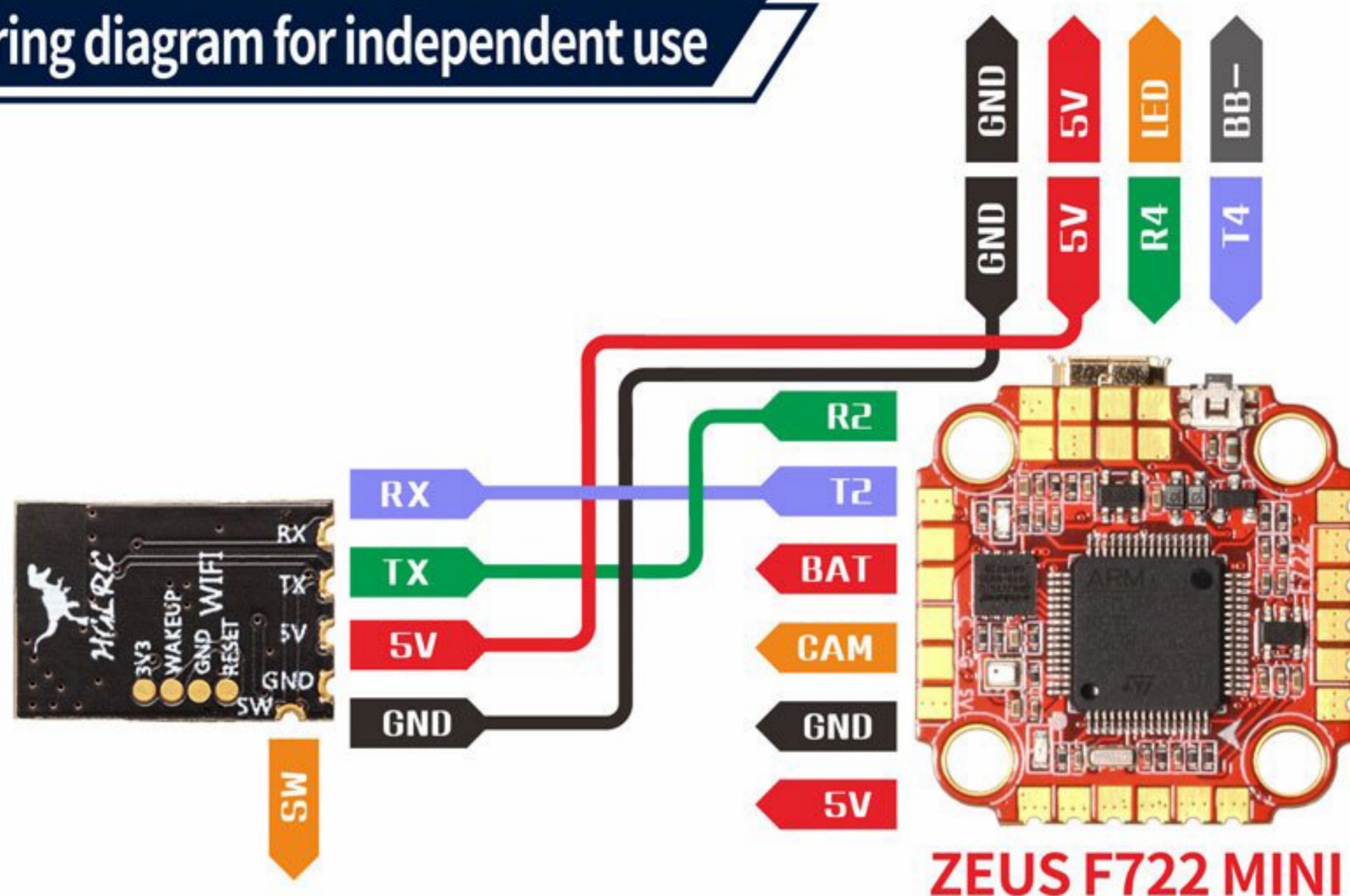
3. Then turn on Speedy Bee on your smart phone, enable WIFI name and select Hermes XXXX



## Speedy Bee

4. After the setting is completed, check whether the WIFI has communicated.
5. If the WIFI module indicating light is solid, it means the WIFI is connected to the mobile phone.
6. If the WIFI module indicating light is solid, but the connection is abnormal. Please check whether the wiring method is correct and the voltage is normal.

## Wiring diagram for independent use



## Independent use setting method

1. First open the Betaflight Configurator software. Enter the port interface. Find UART2, turn on WIFI in the sensor input and select 115200 baud rate.

标识符	设置/MSP	串行数字接收机	遥控器
USB VCP	<input checked="" type="checkbox"/> 115200	<input type="checkbox"/>	已禁用
UART1	<input type="checkbox"/> 115200	<input checked="" type="checkbox"/>	已禁用
UART2	<input checked="" type="checkbox"/> 115200	<input type="checkbox"/>	已禁用
UART3	<input type="checkbox"/> 115200	<input type="checkbox"/>	已禁用

2. Then turn on Speedy Bee on your smart phone, enable WIFI name and select Hermes XXXX
3. After the setting is completed, check whether the WIFI has communicated.
4. If the WIFI module indicating light is solid, it means the WIFI is connected to the mobile phone.
5. If the WIFI module indicating light is solid, but the connection is abnormal. Please check whether the wiring method is correct and the voltage is normal.