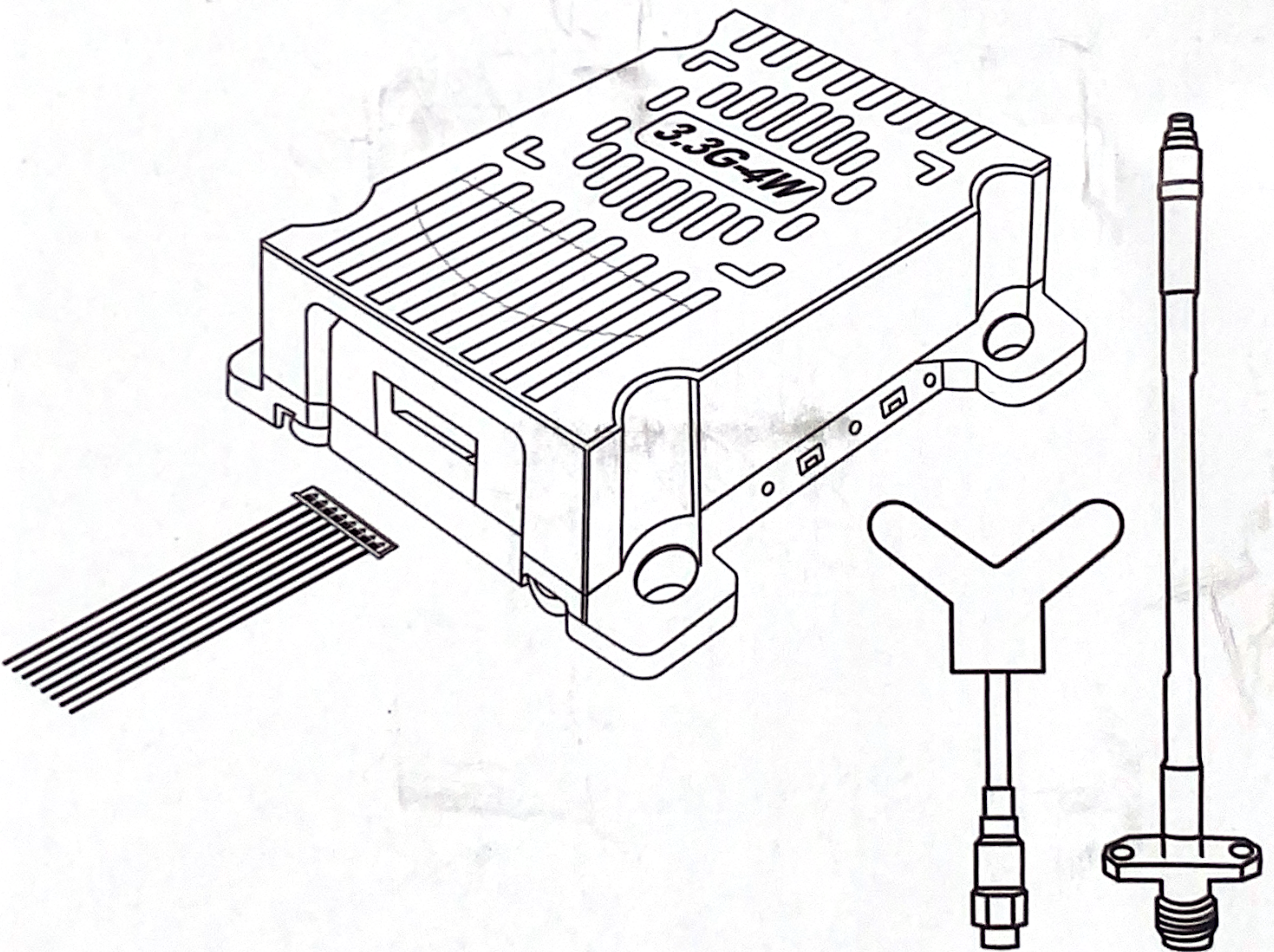


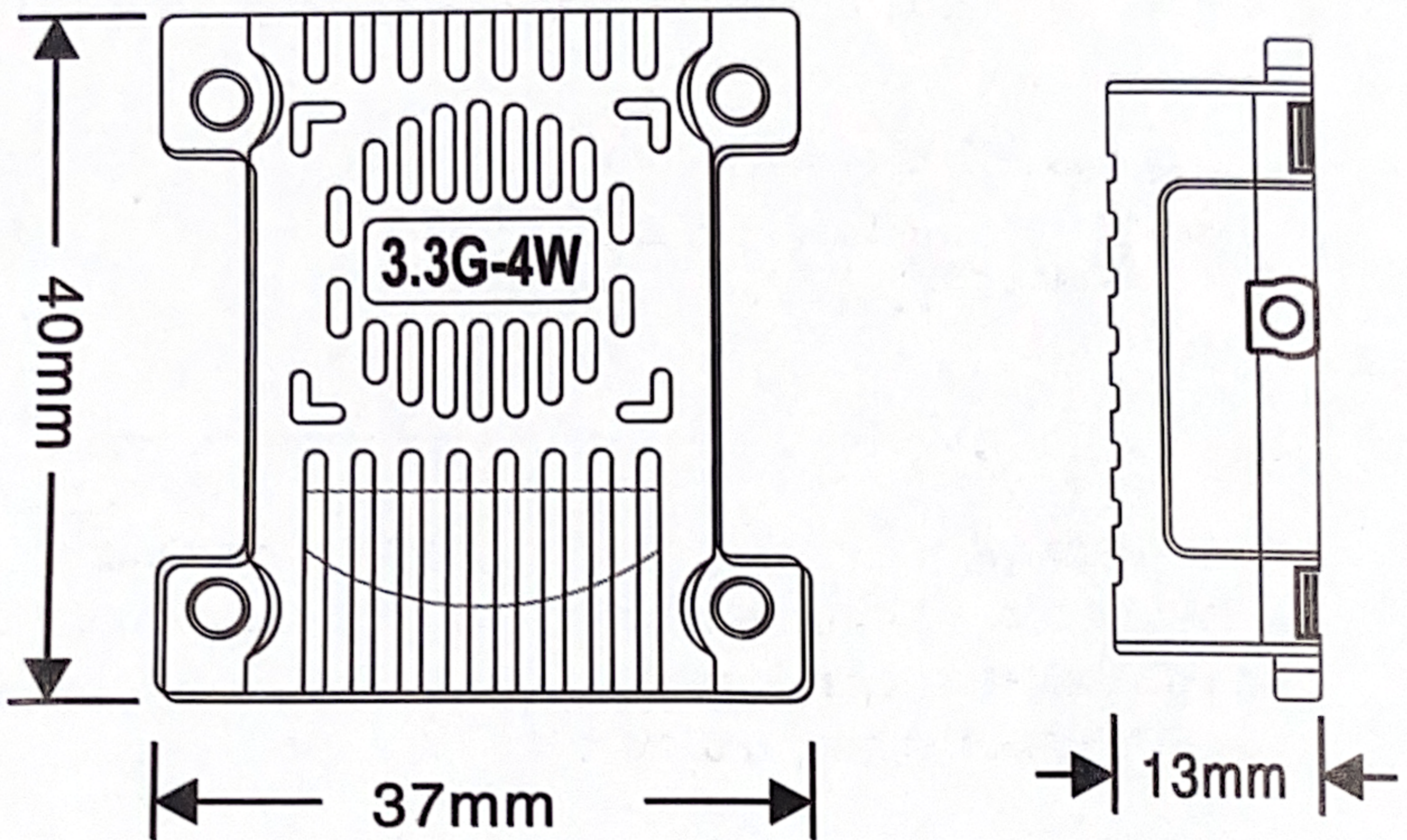
VTX 3.3G

2W 4W

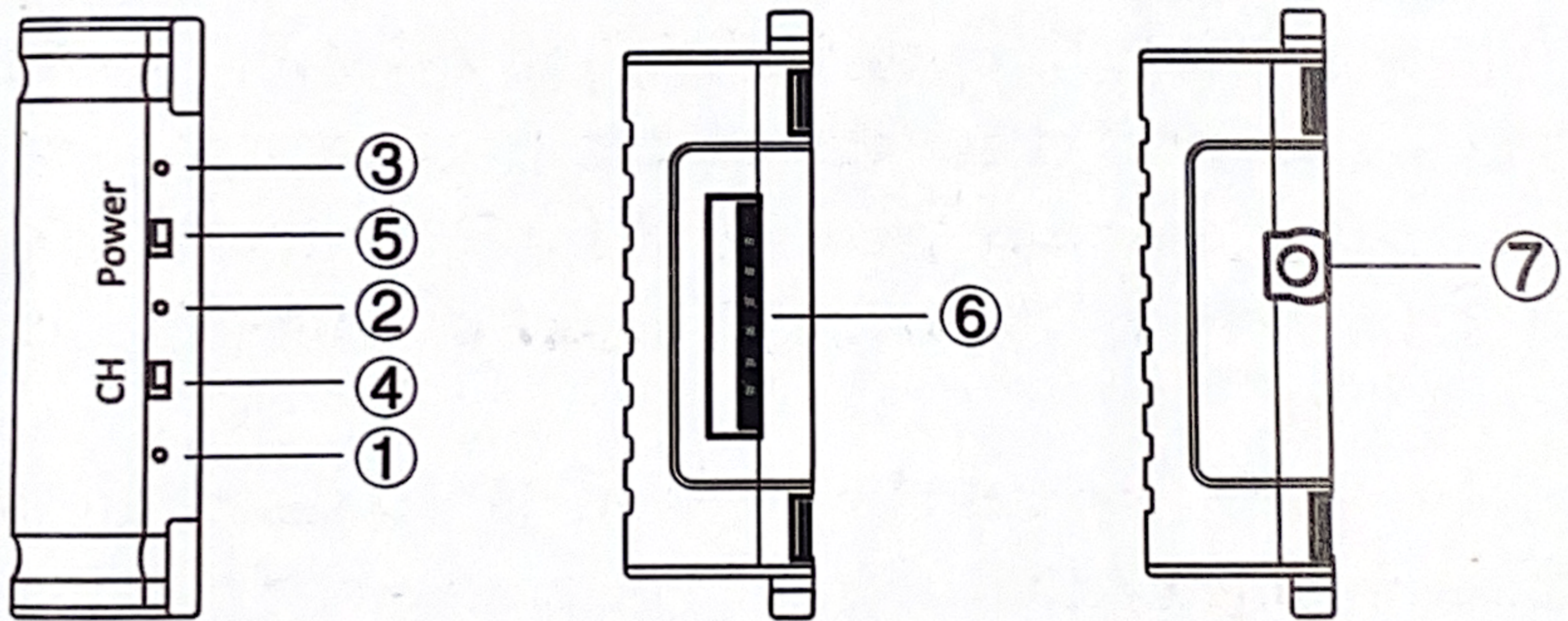
User Manual



I . Product size

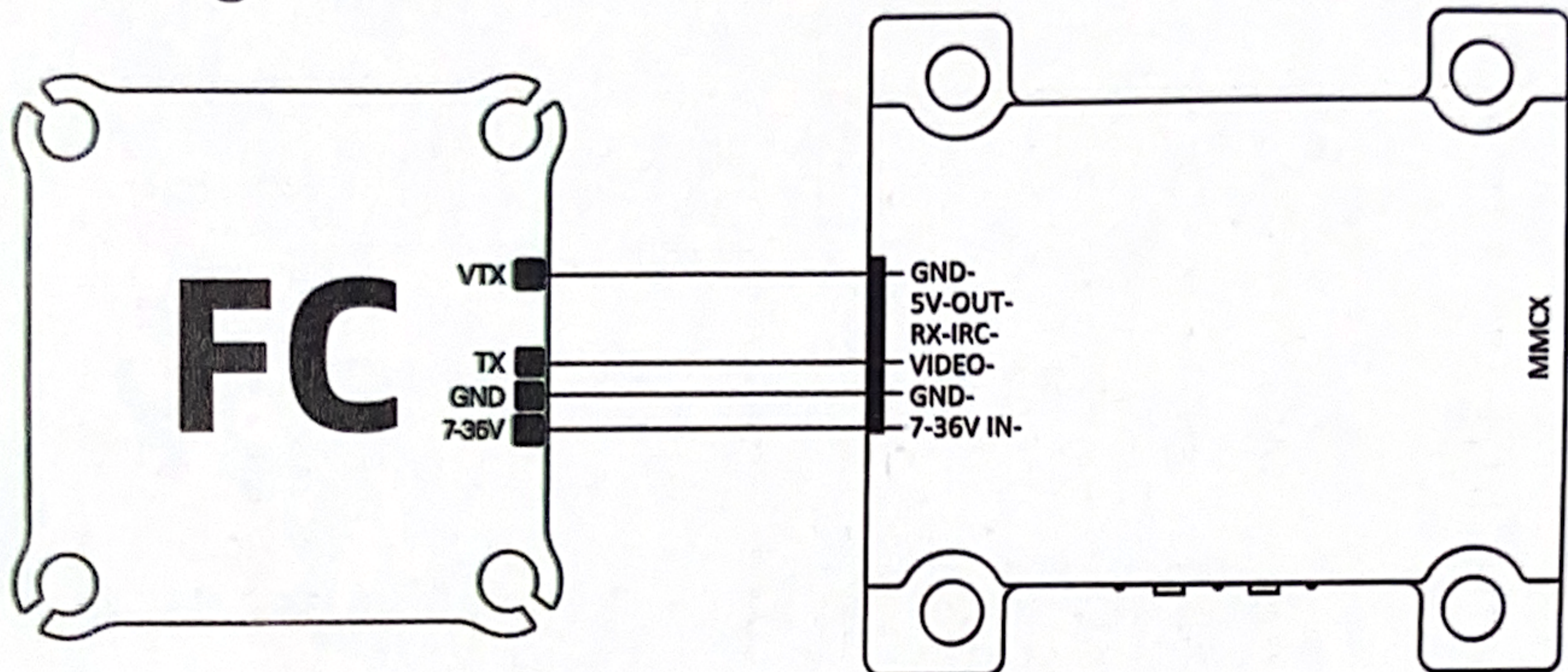


II . Buttons and LED indicator lights



- ① Channel no. indicator: Red light LED (band A)
- ② Channel no. indicator: Blue light LED (band B)
- ③ Power ON/OFF indicator: Green light LED
- ④ Frequency channel & band selection key
- ⑤ Tx Power ON/OFF key
- ⑥ 1.0 6P wiring socket
- ⑦ MMCX antenna connector

III. Wiring method



GND: Negative

7-36V IN: 2-8s, VTX positive input

RX-IRC: IRC Tramp signal input

5V-OUT: 5V power supply output

VIDEO: Image input

GND: VTX negative

IV. Key control and LED indicators definition:

1. Key ④ is the frequency channel & band selection key.

Press key ④ for a short period of time will switch to the next frequency channel. Depends on the frequency plan or band we are using, the corresponding red LED ① (band A) or blue LED ② (band B) will flash 1, 2,3,4,5,6,7 or 8 times for channel no. indication.

Press key ④ for a period longer than 3S will switch to another channel frequency plan or band. For example, if now we are in channel no. 3 of band A, the red LED ① will flash 3 times. If we press key ④ for more than 3S and release, the red LED ① will be turned off and blue LED ② will flash 3 times which means we are now in channel no. 3 of band B.

Frequency channel or band selection is cyclic. Please refer to the following table for details:

Channel	CH1	CH2	CH3	CH4	CH5	CH6	CH7	CH8
Red LED (Band A)	Flash once	Flash twice	Flash for 3 times	Flash for 4 times	Flash for 5 times	Flash for 6 times	Flash for 7 times	Flash for 8 times
Blue LED (Band B)	Flash once	Flash twice	Flash for 3 times	Flash for 4 times	Flash for 5 times	Flash for 6 times	Flash for 7 times	Flash for 8 times

2. Key ⑤ is the Tx power ON/OFF control key. Press it for a short period of time to turn the output power ON or OFF. If the key is pressed and held for 3 seconds, the module will enter pit mode and all the LEDs will be turned on simultaneously. See the following table for details:

1. Short press key ⑤ to toggle the output power ON/OFF.		
2. Long press the key to enter Pit mode.		
Tx output power ON	Tx output power OFF	Pit mode
Green LED ③ is turned on	Green LED ③ is turned off	All 3 LEDs will be turned on simultaneously

V. Table of Corresponding Channel Frequency Parameters

Channel Frequency Table (in MHz)								
Channel	CH1	CH2	CH3	CH4	CH5	CH6	CH7	CH8
Band A	3320	3345	3370	3395	3420	3445	3470	3495
Band B	3310	3330	3355	3380	3405	3430	3455	3480