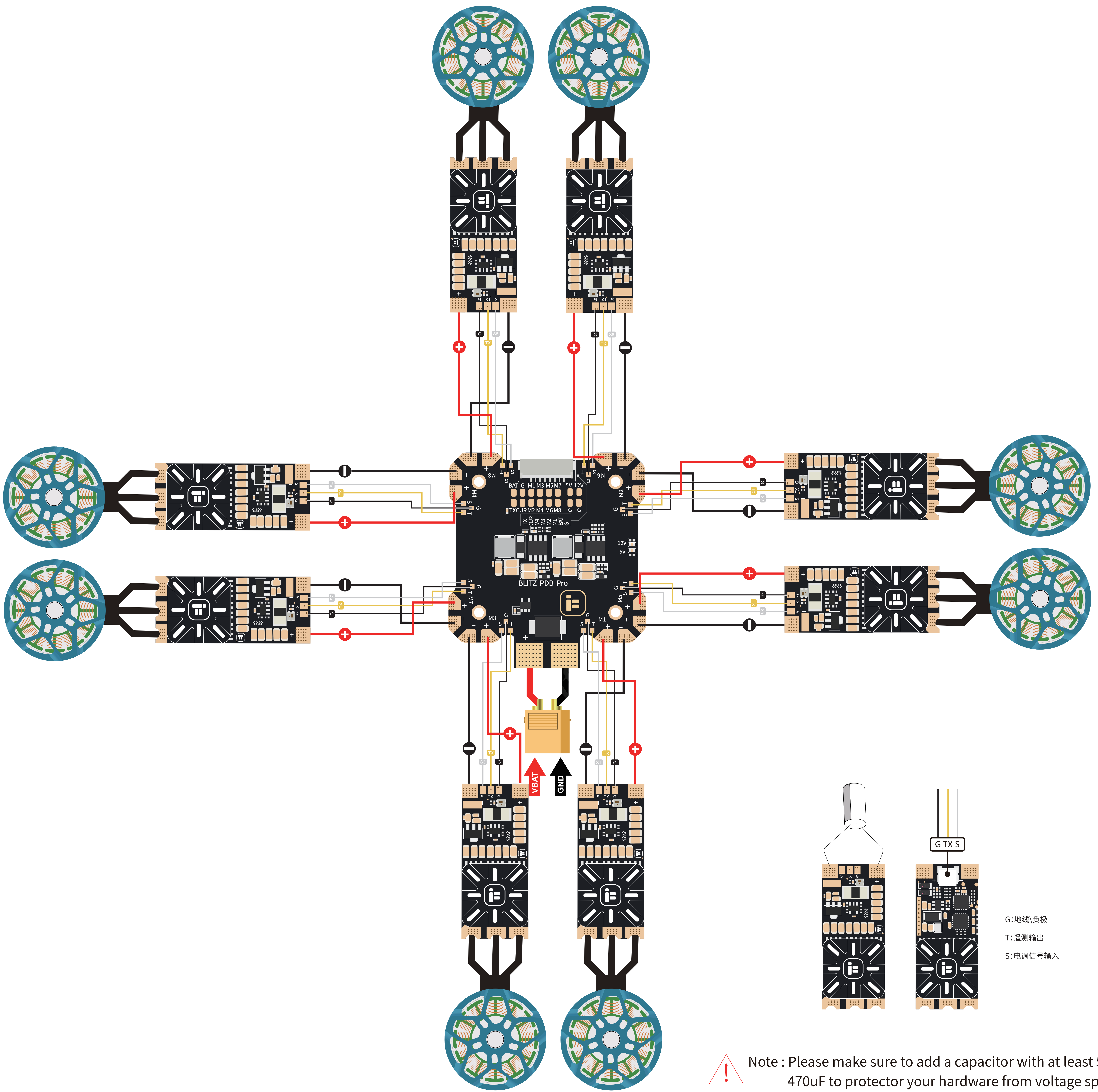


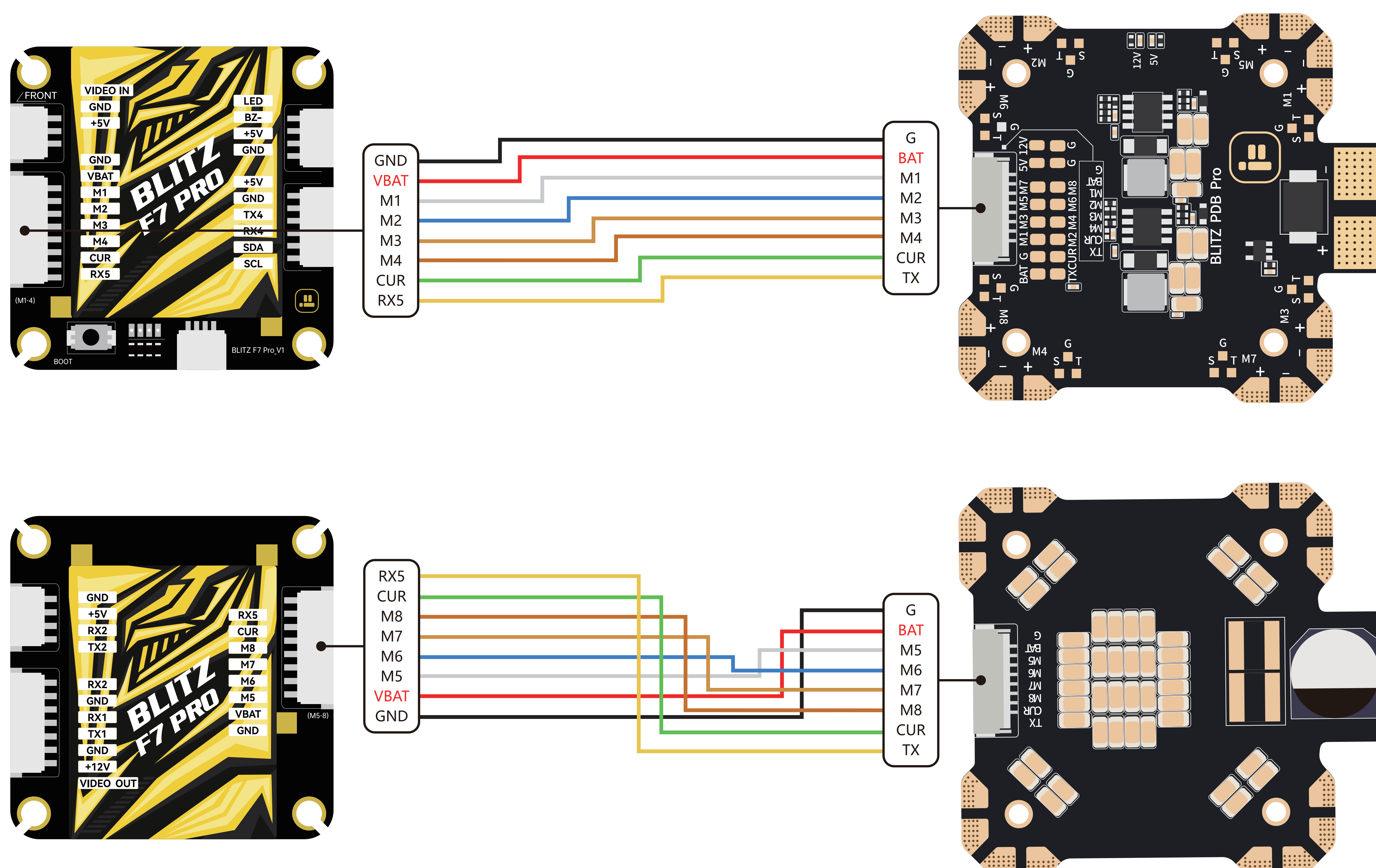
iFlight BLITZ E80 Single ESC Wiring Diagram

ESC



⚠ Note: Please make sure to add a capacitor with at least 50V 470uF to protector your hardware from voltage spikes!

PDB



Amperage Meter

Battery

0.00 A

100

Scale [1/10th mV/A]

0

Offset [mA]