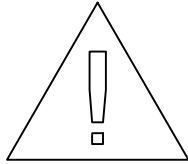


1.3 / 3.3GHz 2.5W Video Transmitter

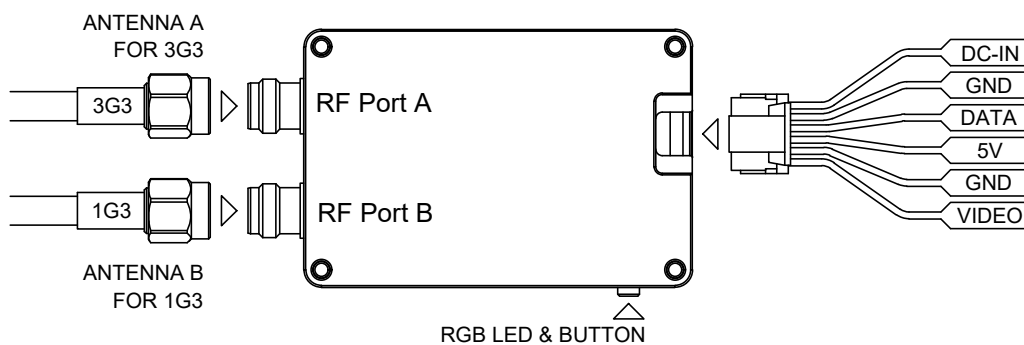
SPECIFICATION

REV. P0 DATE 12-10-2024



This is a prototype under development.

It has not completed performance optimization and aging test, and is only used for basic function demonstration!



Controlled using a single button, the button integrates RGB lighting, **blue for band**, **red for channel**, and **green for power level**.

When there is no operation, the RGB LED blinks cyclically, the number of times the RGB blinks represents the current VTX status (when the green LED is **always on**, the VTX enters PITMODE).

Long press the button to enter VTX setting, at this time the RGB lights are lit alternately, release the button under the corresponding color light to enter the corresponding function setting. At this time, **short press** the button to adjust the value.

For setup via the flight controller, connect the DATA pin and use the IRC Trump protocol.

Channel List

Band	RF Port	CH1	CH2	CH3	CH4	CH5	CH6	CH7	CH8	
1	3G3 A	A	3330	3350	3370	3390	3410	3430	3450	3470
2	3G3 B	A	3170	3190	3210	3230	3250	3270	3290	3310
3	1G3 A	B	1080	1120	1160	1200	1240	1280	1320	1360
4	1G3 B	B	1200	1220	1240	1258	1280	1300	1320	1340

RF Power

Values	0	1	2	3	4
Power Level	PIT	25mW	200mW	1000mW	2500mW
Typ.	-40dBm	14dBm	23dBm	30dBm	34dBm