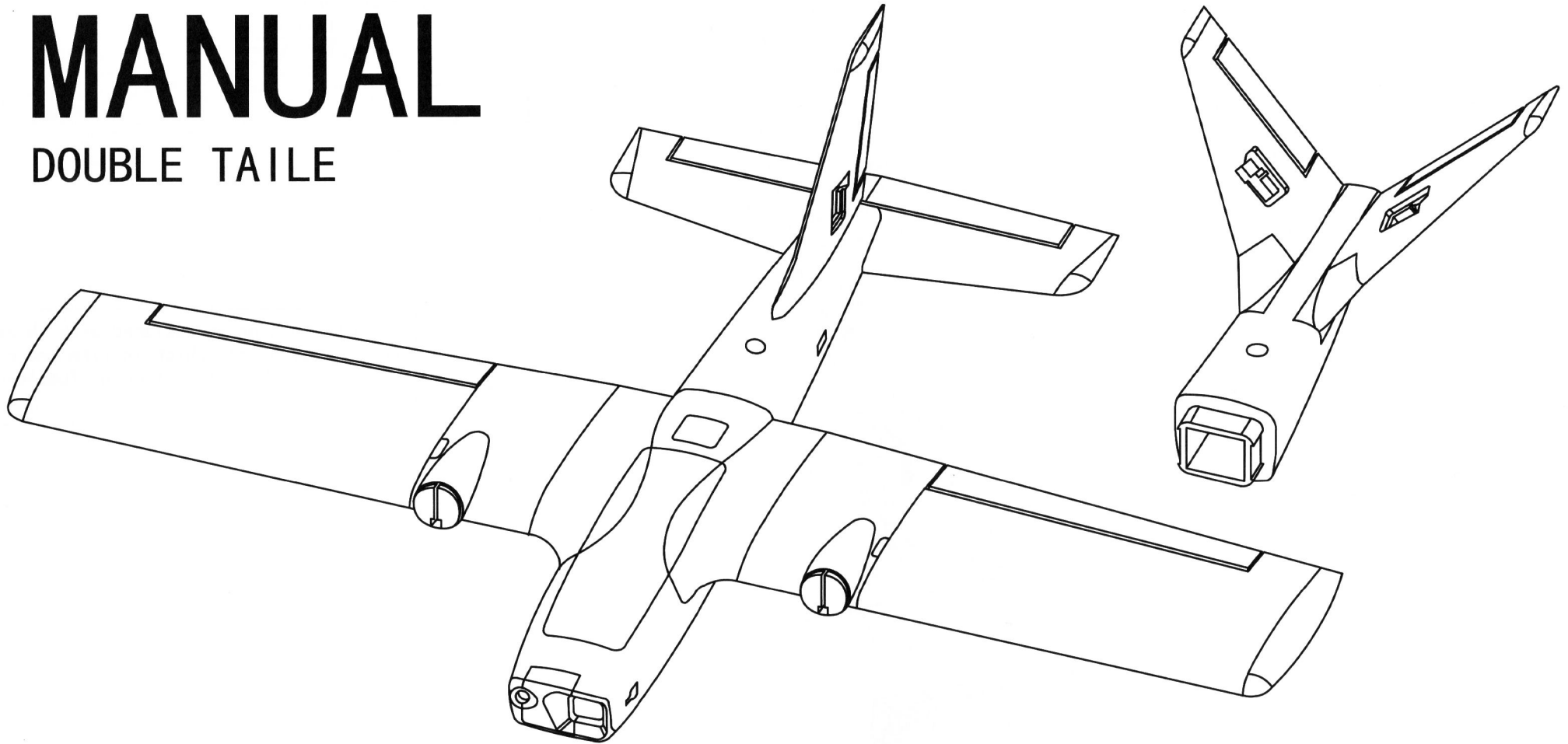




# DRAGON-II

## MANUAL

DOUBLE TAIL

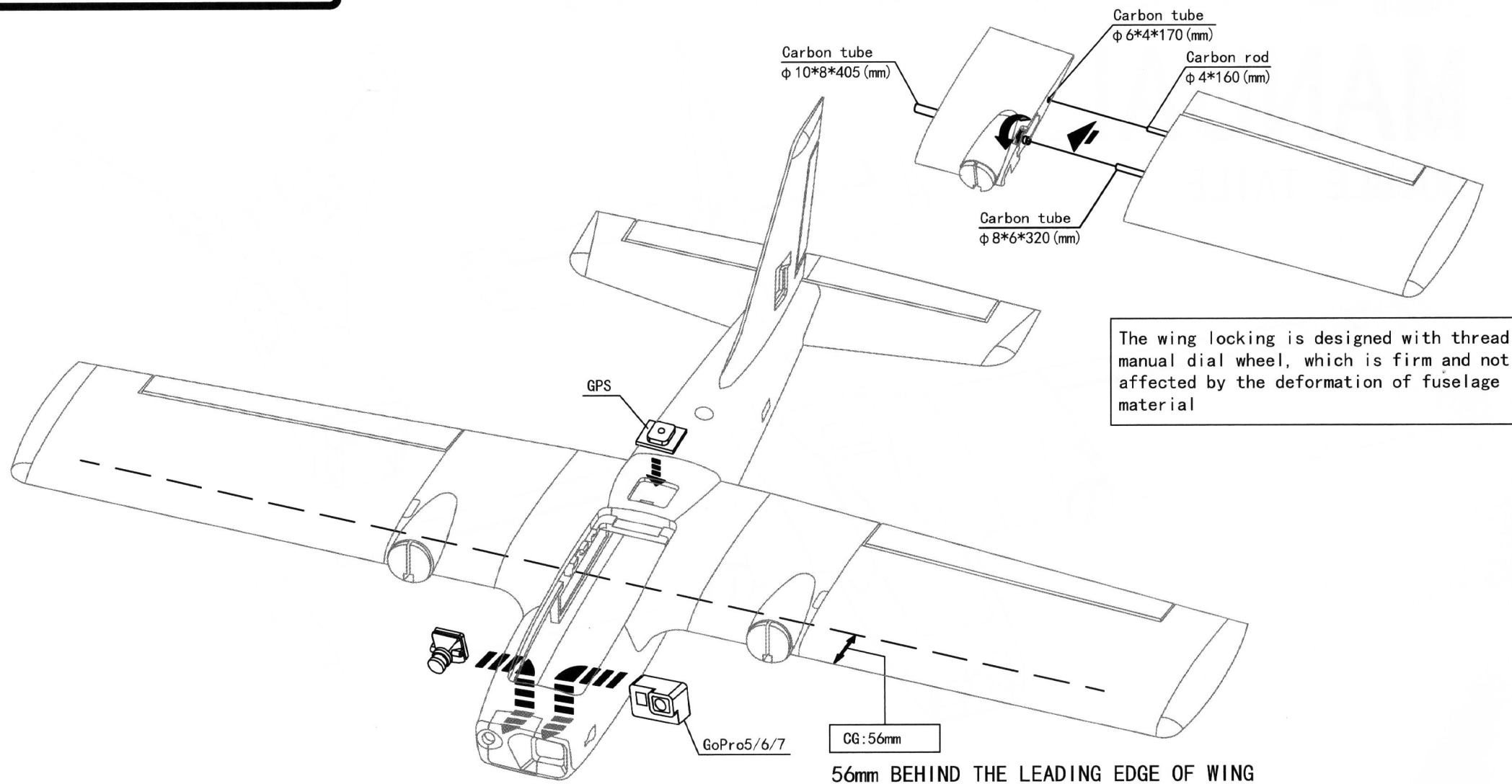




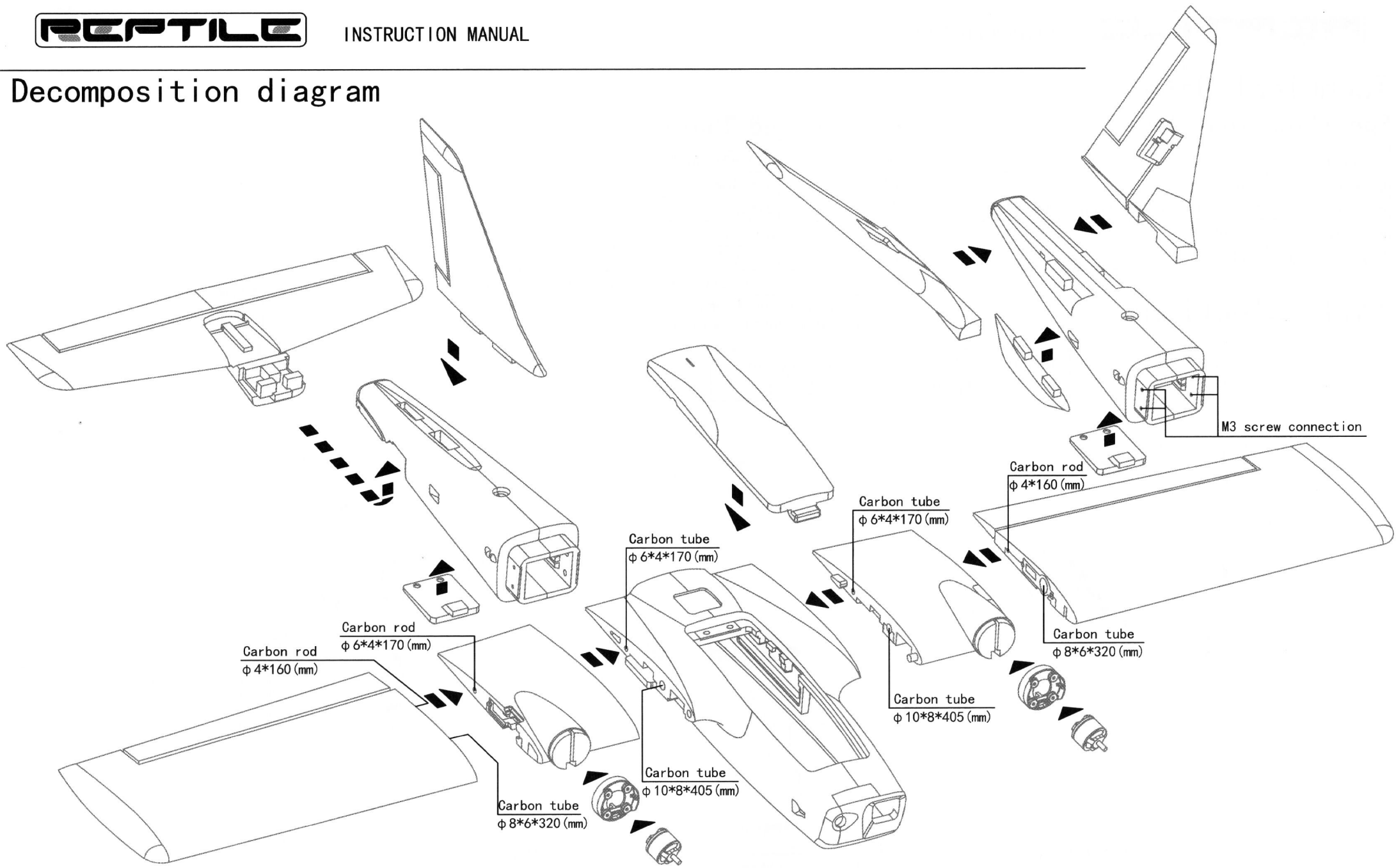
### WARNING!

This product is NOT a toy, Adult supervision is required for those under 14 years old.

**WARNING:** Read the ENTIRE instruction manual to become familiar with the features of the product before operating. Failure to operate the product correctly can result in damage to the product, personal property and cause serious injury. This is a sophisticated hobby product. It must be operated with caution and common sense and requires some basic mechanical ability. Failure to operate this Product in a safe and responsible manner could result in injury or damage to the product or other property. This product is not intended for use by children without direct adult supervision.



# Decomposition diagram



### Technical data

#### Specifications Table

Wingspan	1200mm
Length	833mm
Weight	480g (Without electronic equipment)
Wing size	25.7DM <sup>2</sup>
Flying weight	1200g

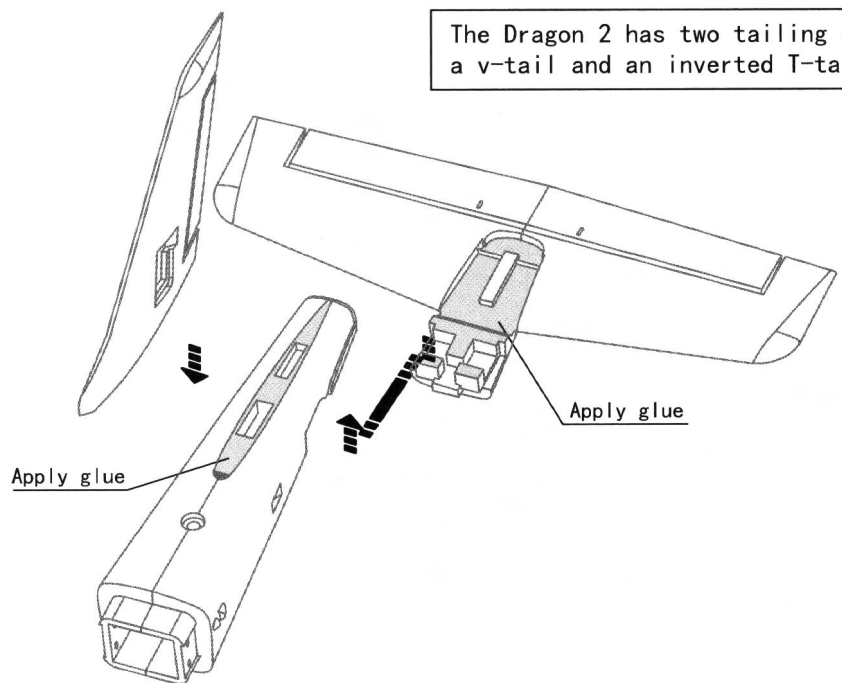
#### Recommended Table

Motor	2207*2/2306*2	
ESC	30A-40A	
Servo	9g*4PCS	
Propeller	6"*2/7"*2	
LiPO battery	11.1V 3S	14.8V 4S
Radio	4 channels with elevon mixing	

Please select the appropriate propeller according to the motor specification table.

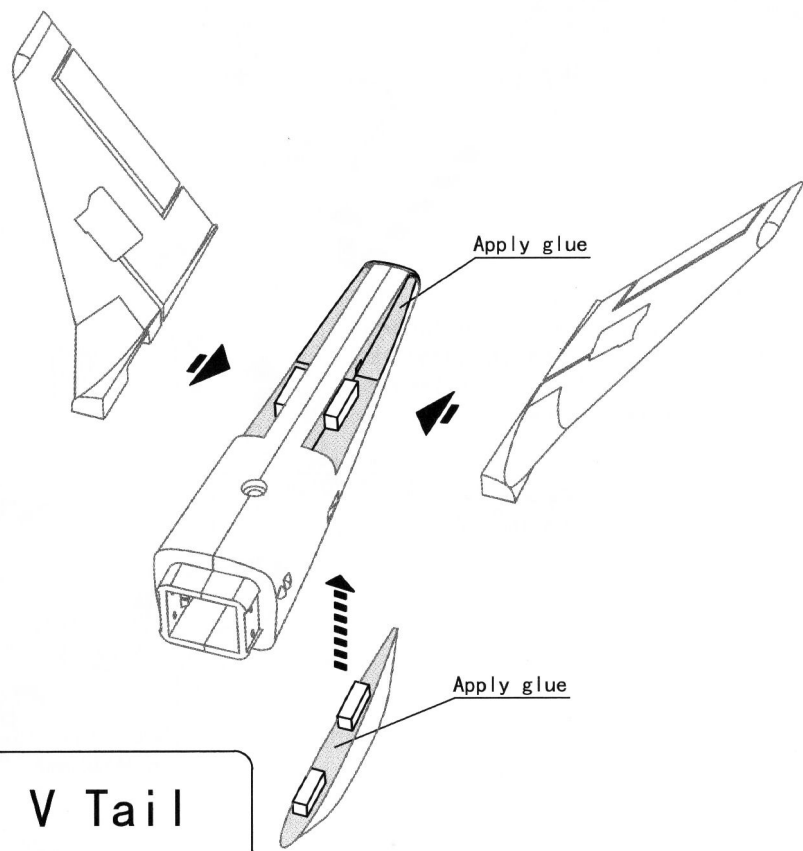
### Tail selection

The Dragon 2 has two tailing options, a v-tail and an inverted T-tail



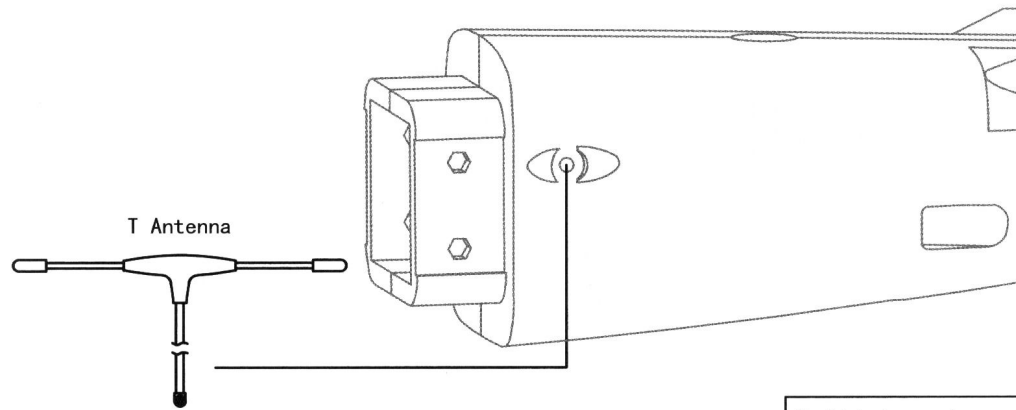
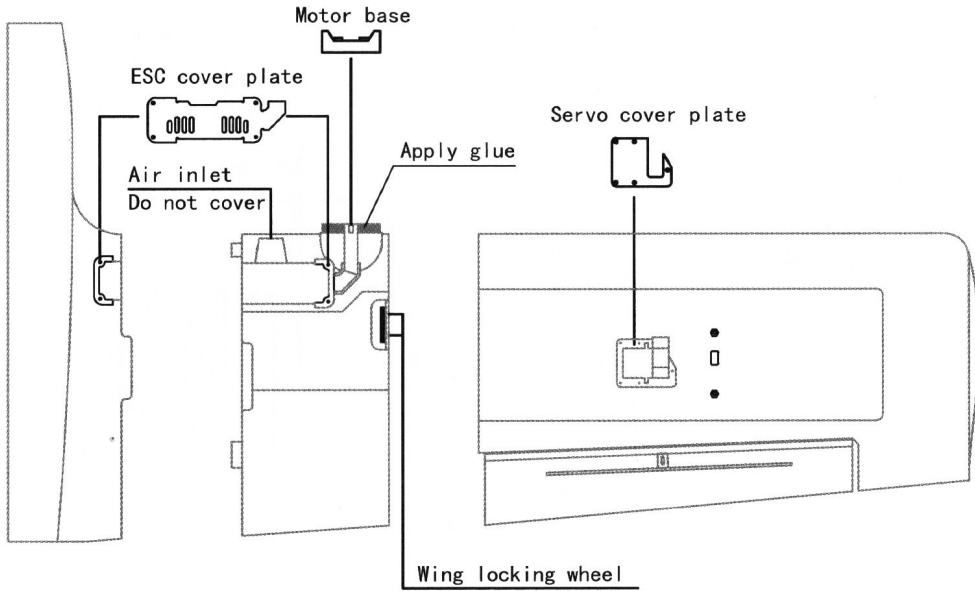
Inverted T Tail

OR



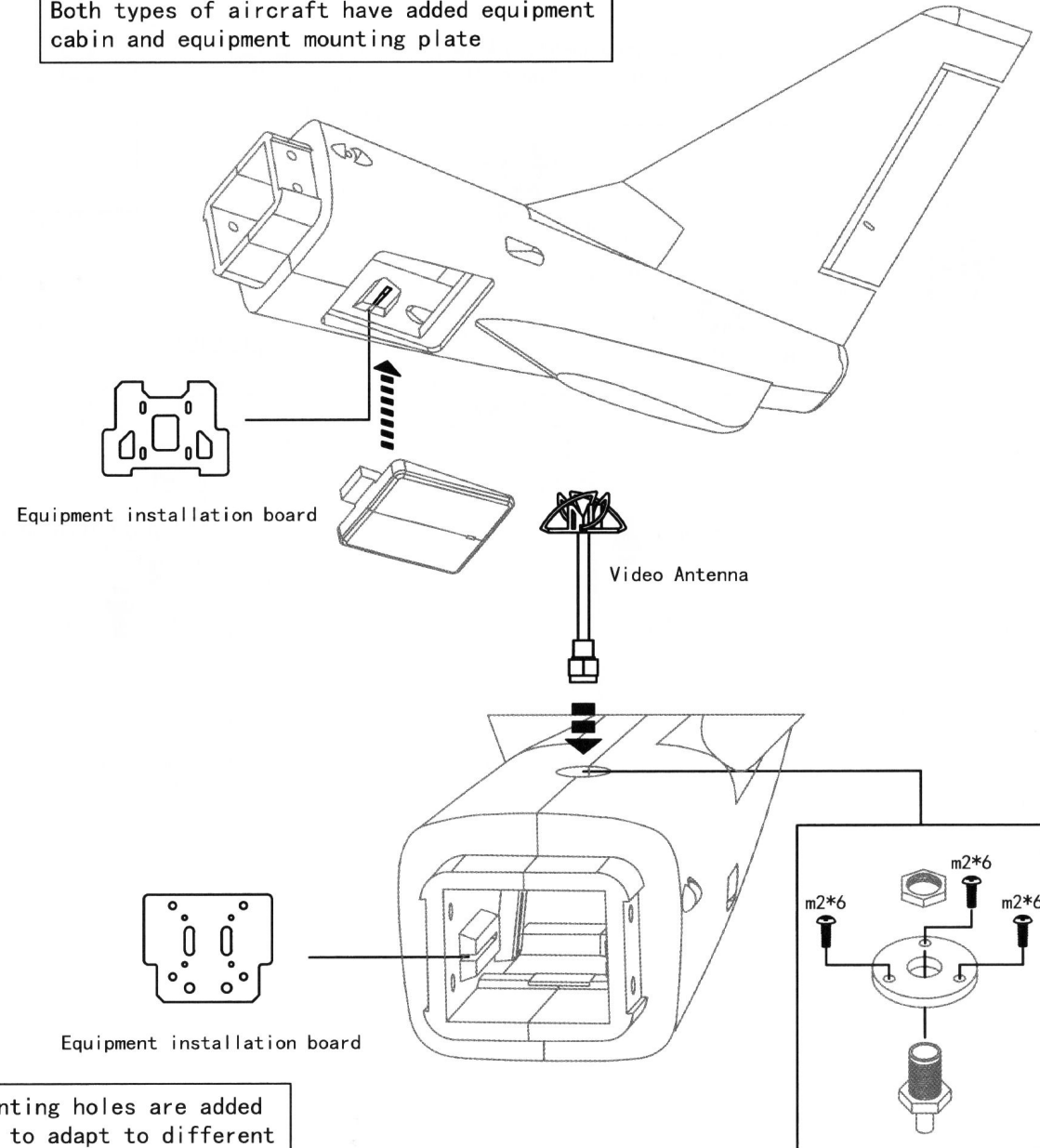
V Tail

### Technical data



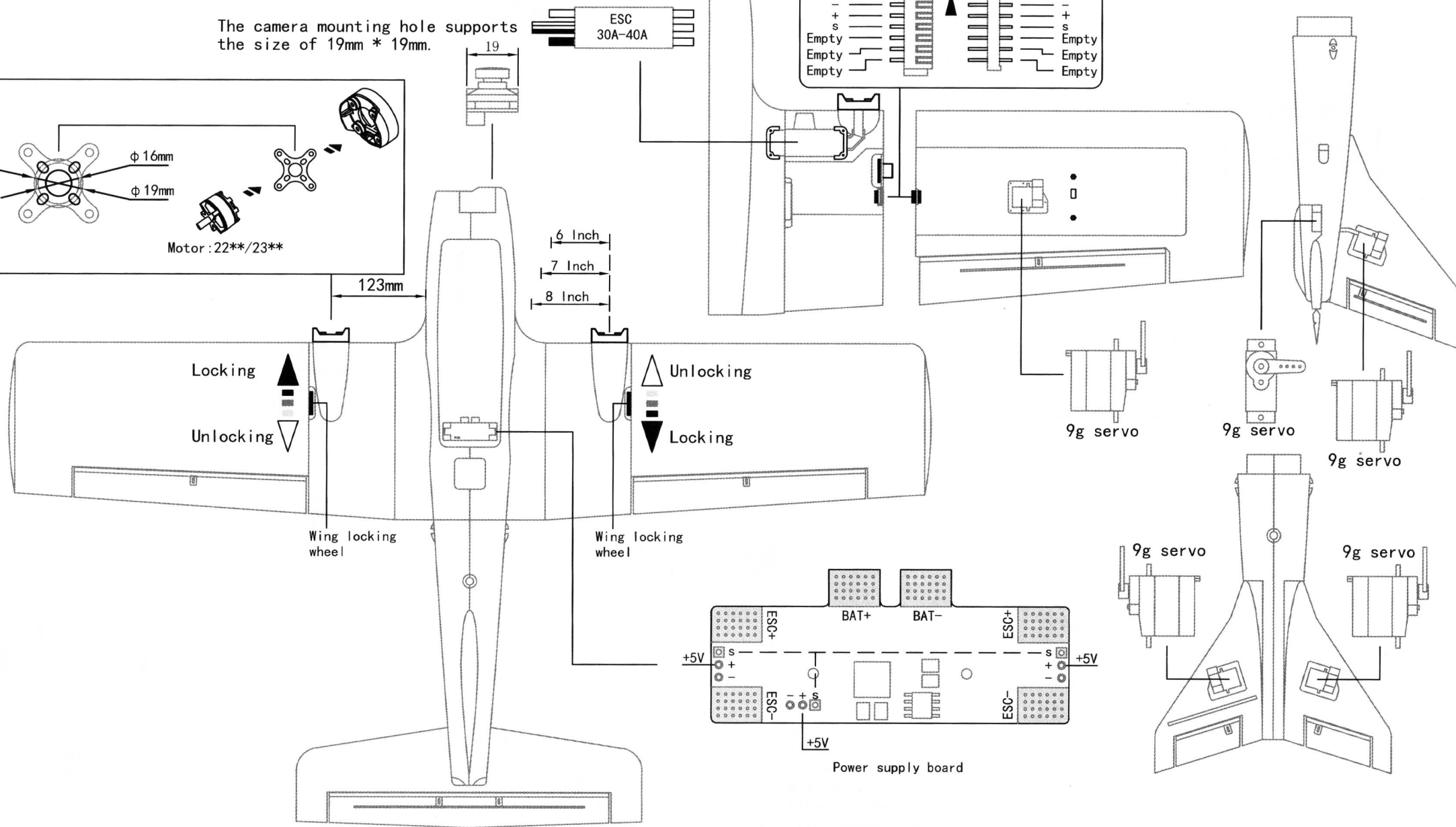
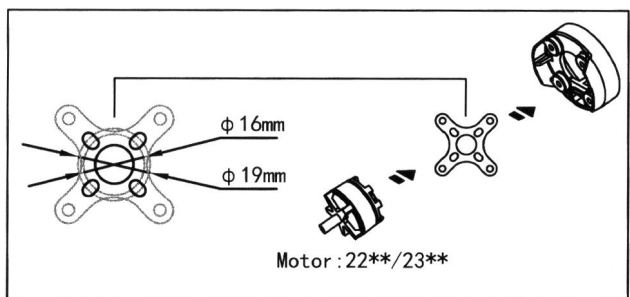
Multiple antenna mounting holes are added to the aircraft body to adapt to different equipment installation.

Both types of aircraft have added equipment cabin and equipment mounting plate

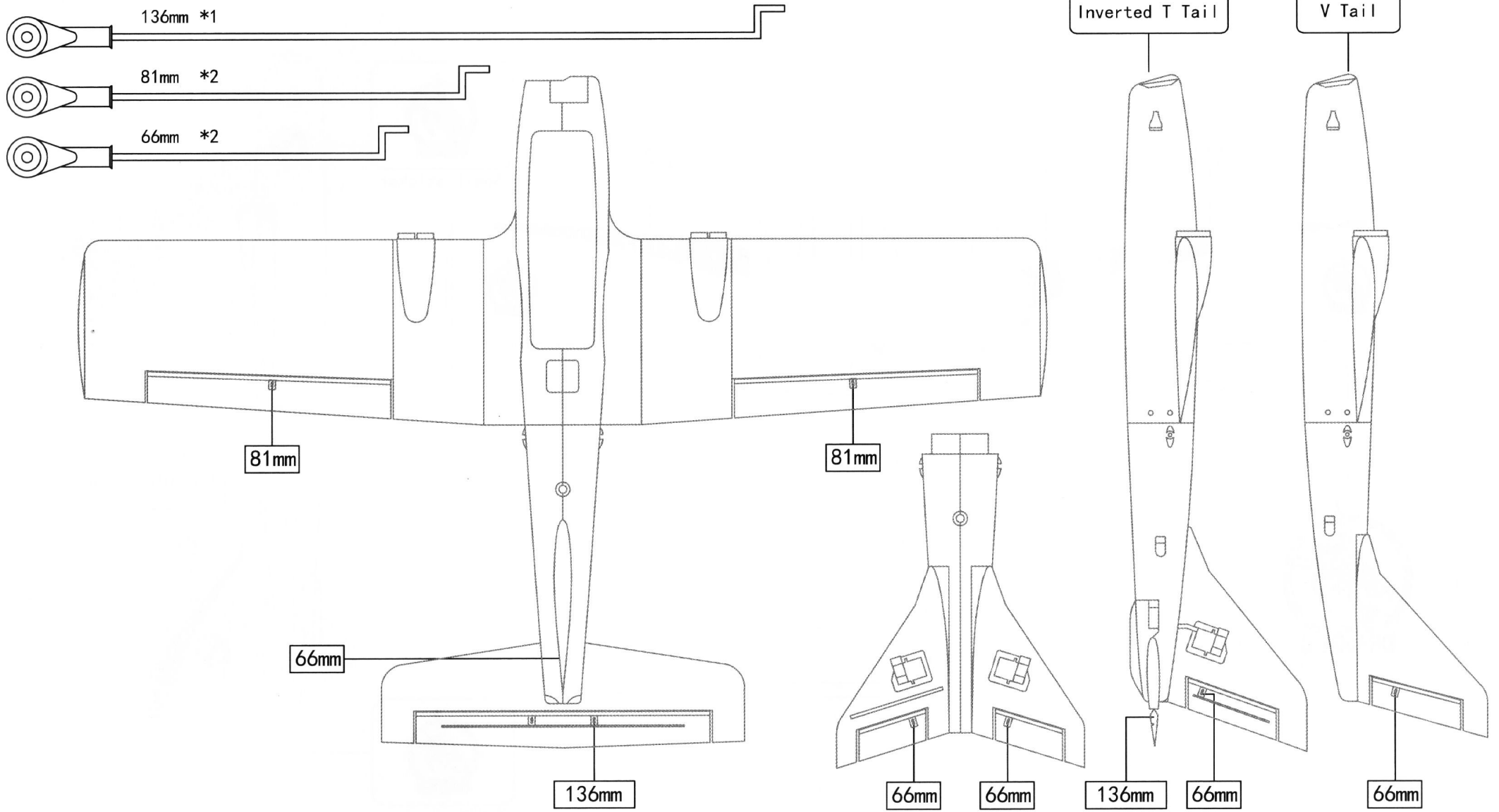


### Equipment installation

The camera mounting hole supports the size of 19mm \* 19mm.



# Pull rod installation



# Sticker diagram

