

Thank you for purchasing a SonicModell product!

SONIC MODELL®



TWIN MULTIROLE FPV PLATFORM

**Powerful Twin Motor Configuration
Flexible Camera Options - Mapping Bay
Huge Payload Capabilities**

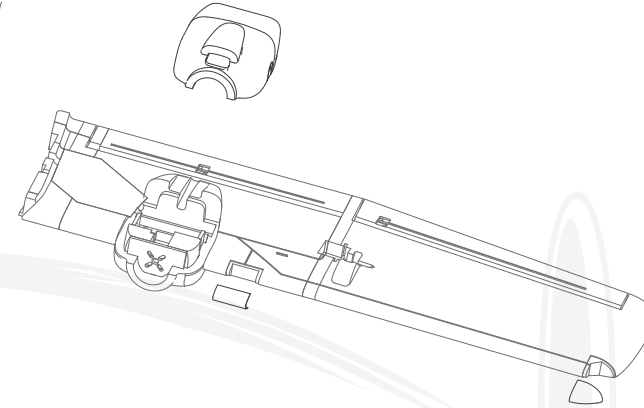
Specifications:

Wingspan: 1200mm (47.24")
Length: 953mm (37.52")
Material: High Quality EPO
Recommended Optimized Power Combo
Motor: 2212-1100KV * 2
ESC: 40A w/5V 3A BEC * 2
Servos: 9g metal gear * 6
Prop: 3-blade 8*4.5 * 2
Recommended Battery:
4S 3000-5400mah

Follow us on

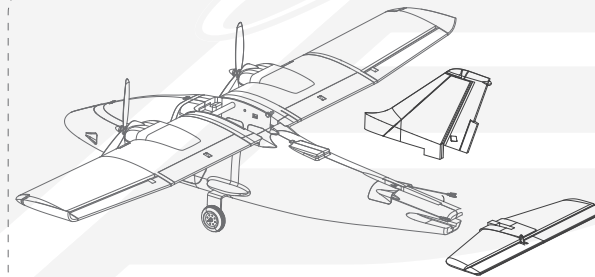
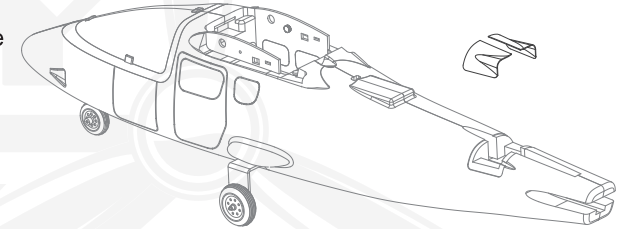


www.sonicmodell.com



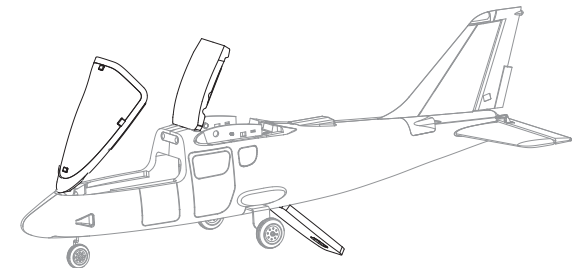
Install the servos for the Ailerons and (optional) Flaps. All the accessories for that matter are provided with the KIT. In case you have purchased the DUSK LED System, this is a good time also to install the wing lights. Once you're done, close the motor housing and glue the light protection in place.

Install the servos for the Elevator and Rudder. You can dry-fit all the distances placing your Vertical and Horizontal Stabilizer without glue. Once you're happy, screw your servos in place and glue the plastic servo protection like is shown in the picture.

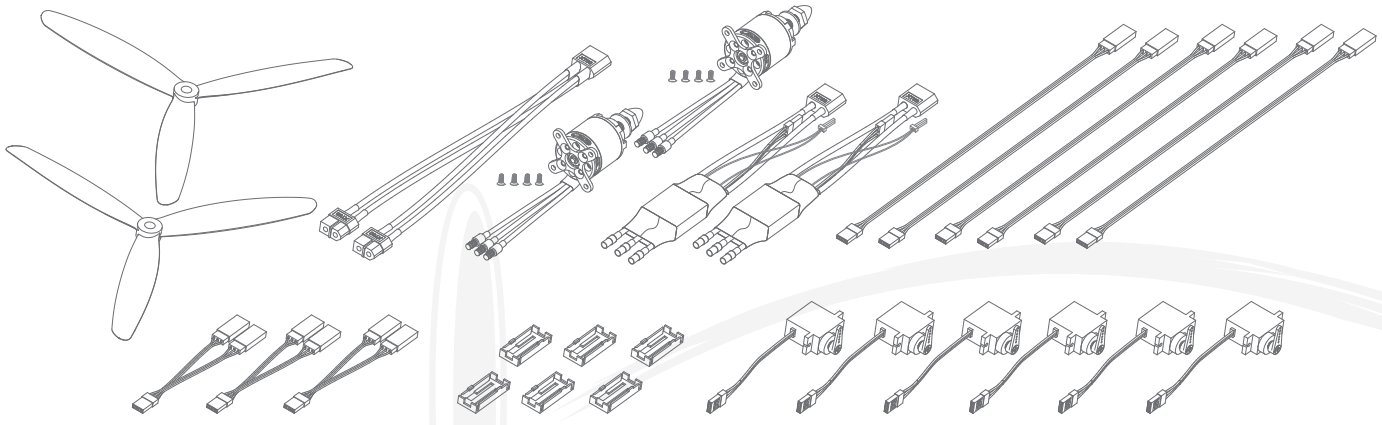


Glue your Vertical and Horizontal Stabilizers in place. Be sure they're aligned 90 degrees from each other. This is a good time to install the Tail light in case you have the DUSK LED System. Connect your pushrods to the servo horns, checking that everything is nice and tight.

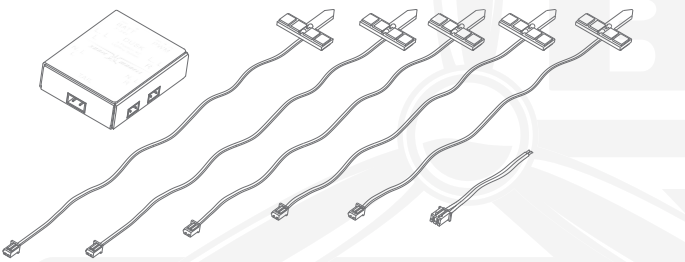
Finally, you can attach your wings to the fuselage, and install the rest of your equipment as you please, along the fuselage or on the main wings: FPV gear, Battery, Receivers, etc.



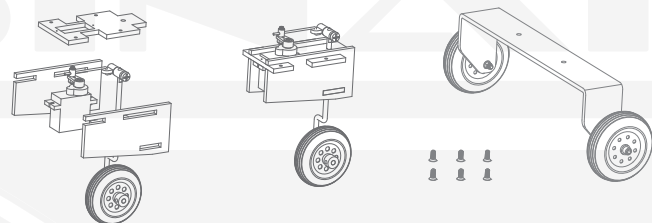
BINARY PREMIUM ACCESSORIES (SOLD SEPARATELY)



Optimized Power Combo



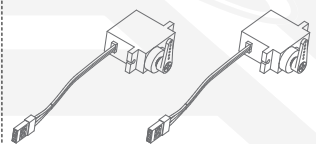
DUSK LED Lighting System



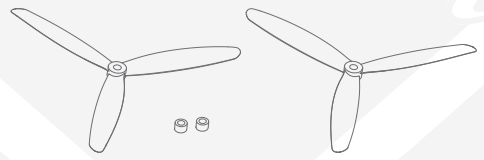
Modular Landing Gear



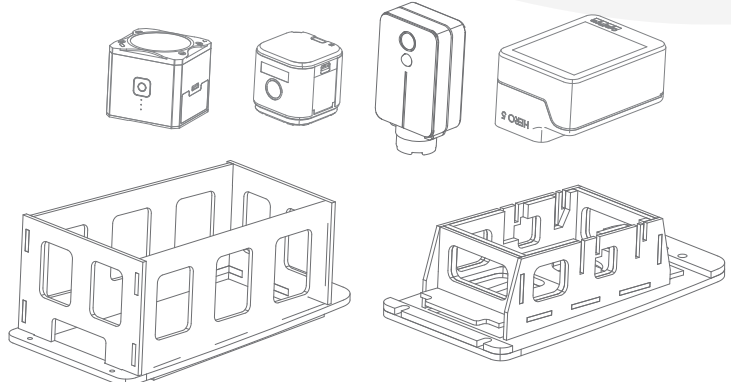
Plastic Belly Protection



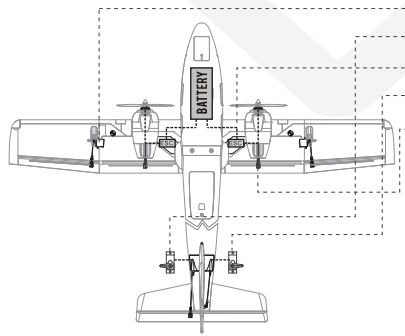
Servo Pack (9g x 2)



3-Blade 8*4.5 Prop x 2

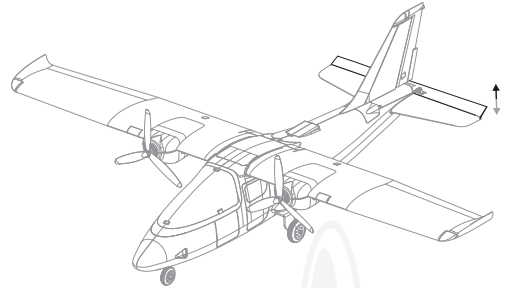


Mapping Camera Bay (camera is not included)



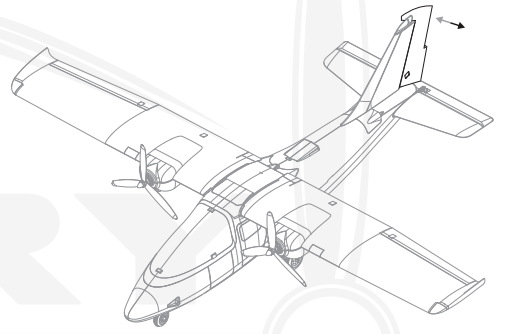
**CH1 AILERON
CH2 ELEVATOR
CH3 THROTTLE
CH4 RUDDER
CH5 FLAPS**

CHECKING YOUR CONTROL SURFACES:



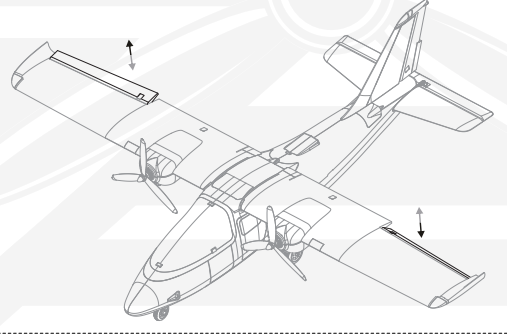
MODE 1

MODE 2



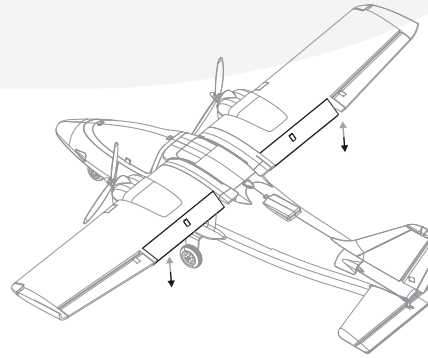
MODE 1

MODE 2

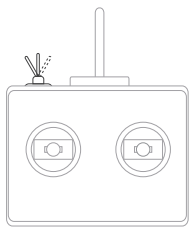


MODE 1

MODE 2



FLAPS: We recommend you to use a 3-position switch for the Flaps. Check your radio MIXES documentation for this matter.



CAUTION:

This product is NOT a toy. Adult supervision is required for those under 14 years old. Improper adjustments and operation will result in damage to the item and/or injuries to the operator. Experience is required prior to handling this product.