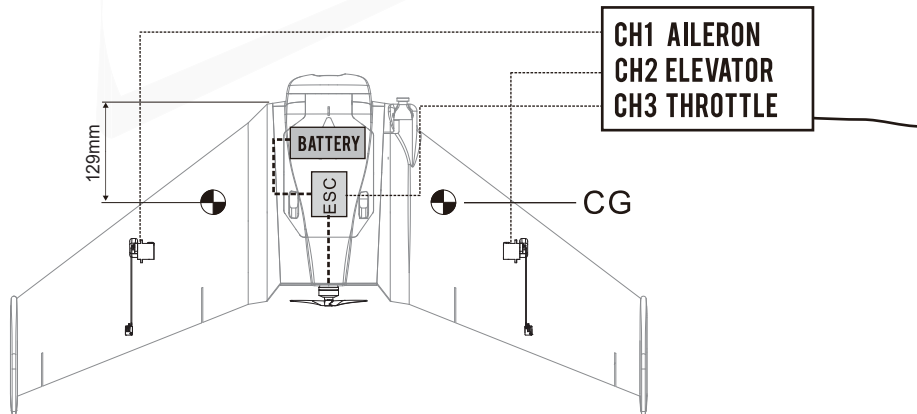
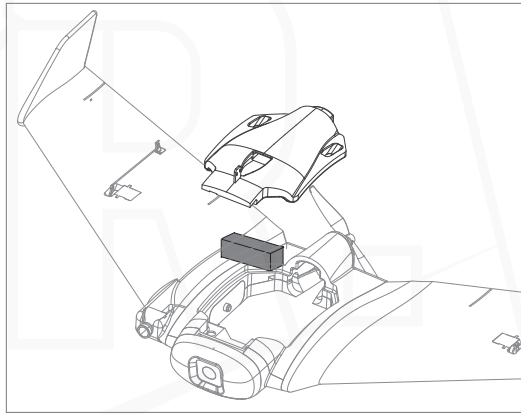


- ① Choose the nose cone that suits your needs.
- ② Install your camera.
- ③ Finish the installation of your FPV setup.

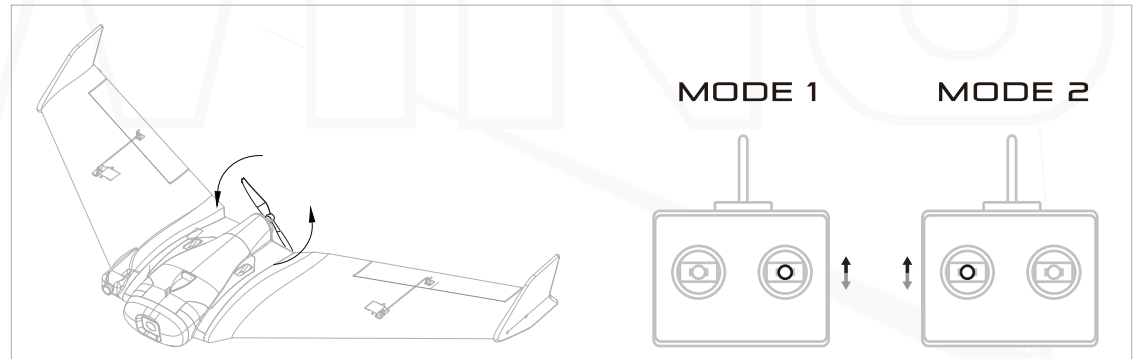
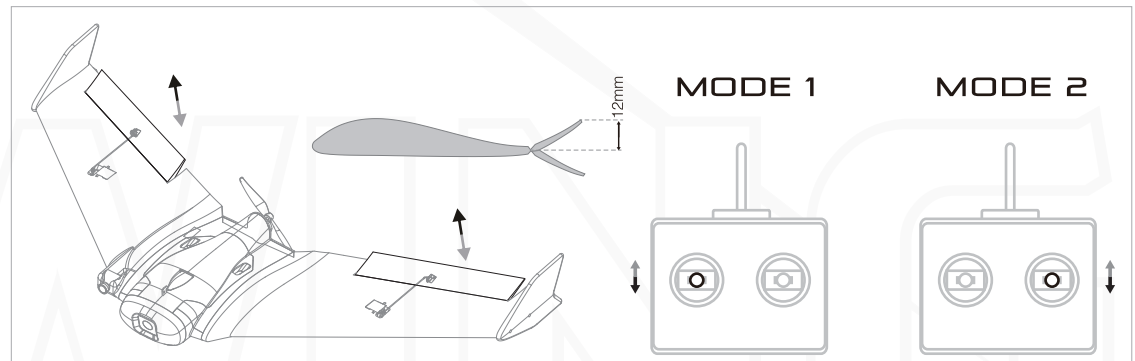
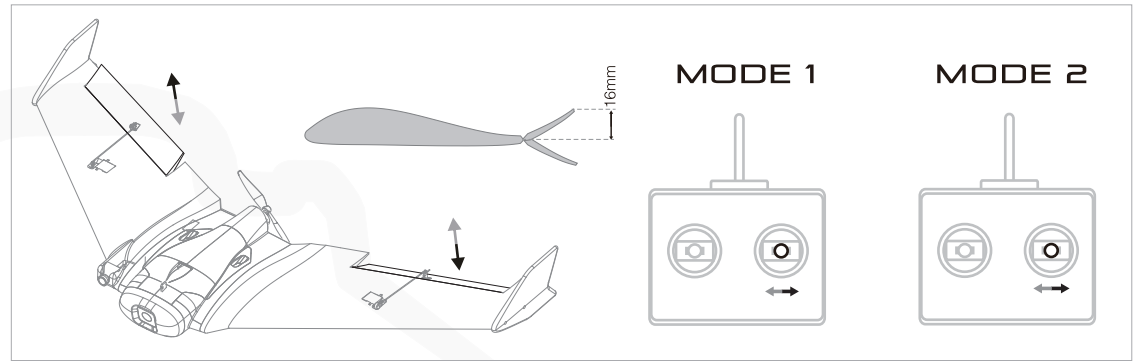
① Install your battery.

② Close the hatch.

③ Be sure your servos are working properly.



TESTING YOUR RADIO:



CAUTION:

This product is NOT a toy. Adult supervision is required for those under 14 years old. Improper adjustments and operation will result in damage to the item and/or injuries to the operator. Experience is required prior to handling this product.