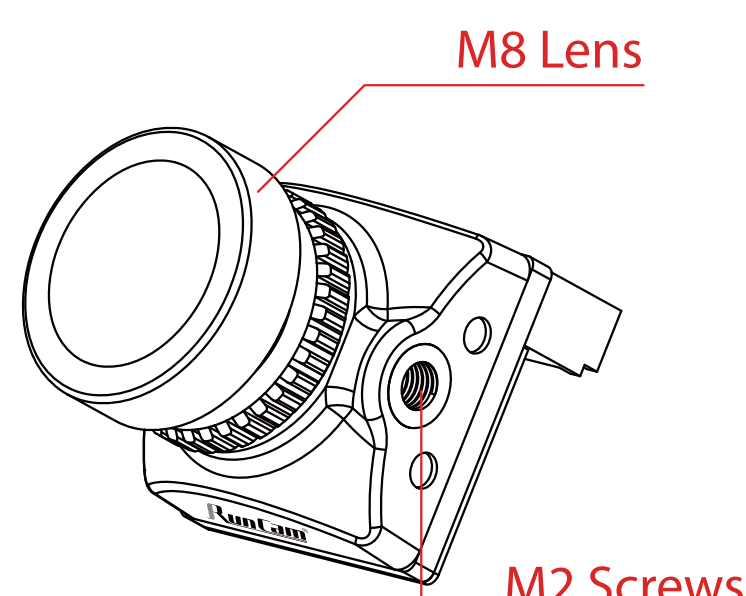
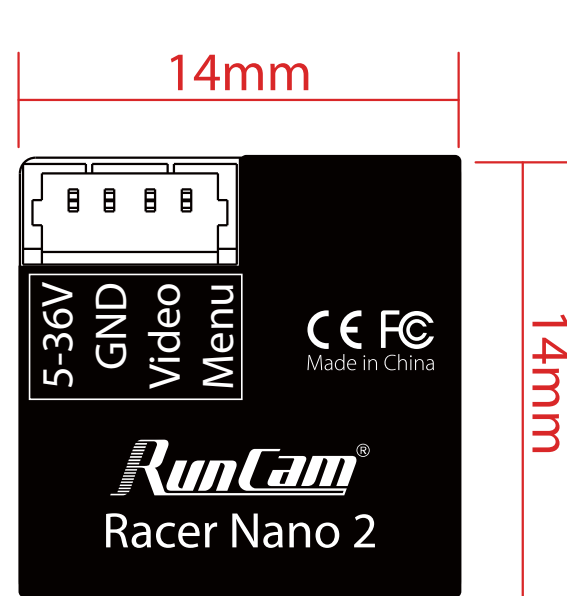
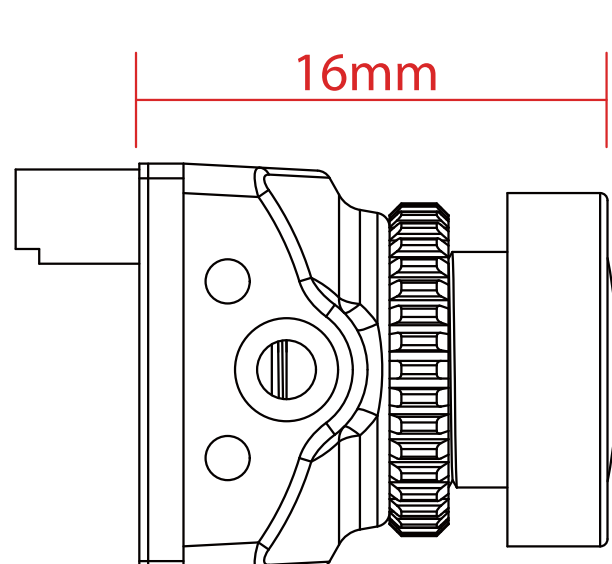


RunCam Racer Nano 2

USER MANUAL

Dimensions & Installation



Gesture Control

***The default setting is off, the switch is in the OSD menu**

• Activation:

The camera is powered on, when the RunCam text appears on the boot interface, please block the camera completely with the hand for 3 seconds. If only Personal appears at the top of the screen, it indicates that the gesture control is activated. If NTSC/4:3/Personal all appear at the top of the screen, the camera has entered the normal working state. Need to re-power on and try again.

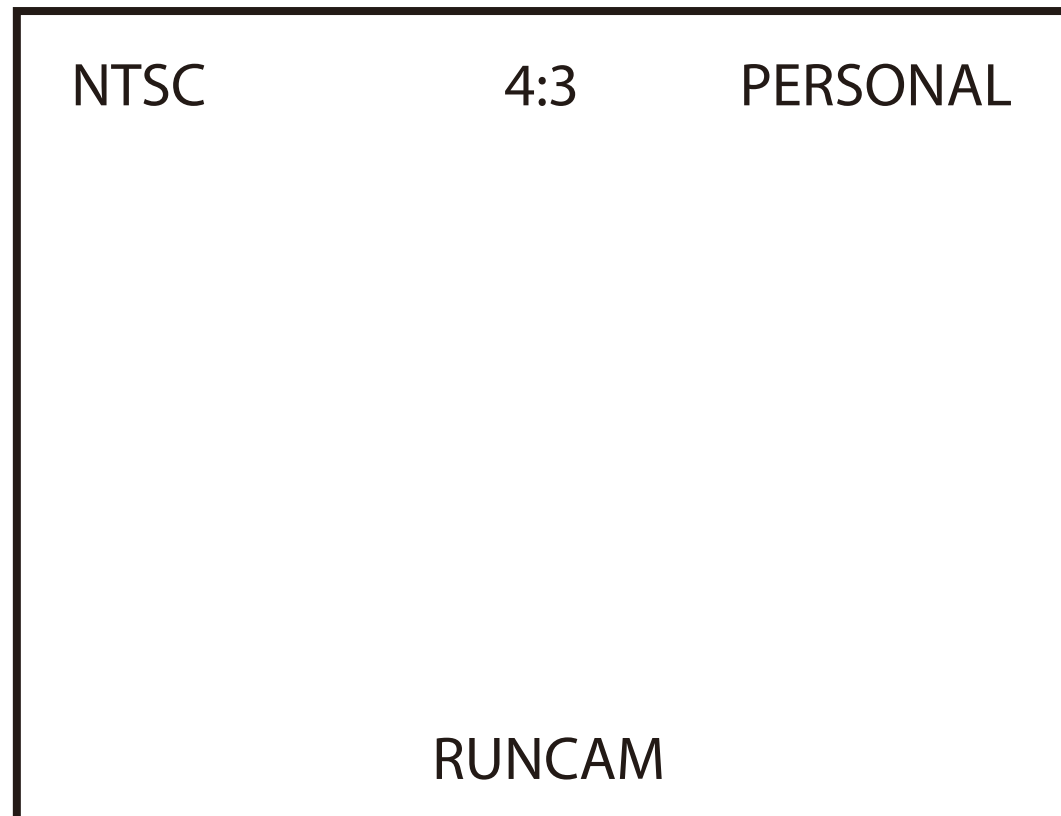
• Operating:

1. If the hand does not release, every 3 seconds Scene / System / Ratio will switch circularly.
2. Release the hand, the current function character will flash, after flashing 3 times, block the lens with your hand and then move it away, changing the current function parameters once.
3. Block the lens with your hand and do not remove it. 3 seconds will switch to the next function.
4. After the adjustment is completed, wait for 3 seconds for the camera to automatically restart, and the current camera system/ratio/scene will be displayed briefly at the top of the screen.

Gesture Control Demo Video: <https://youtu.be/jxCNkINpdDI>

OSD Menu

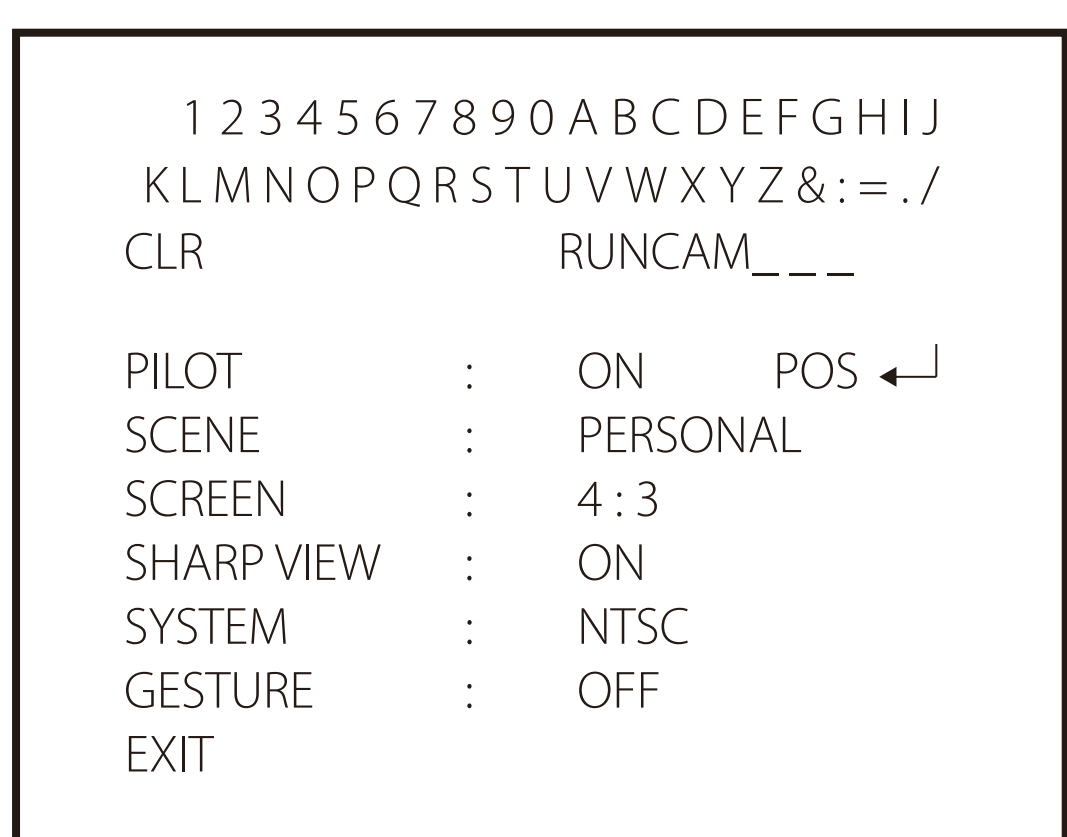
• QUICK SETTINGS



Quick settings:

- Long press UP button for three seconds to access to the OSD setting's screen
- Long press DOWN button for six seconds to reset OSD settings to default
- Long press RIGHT button for three seconds to switch between the camera presets

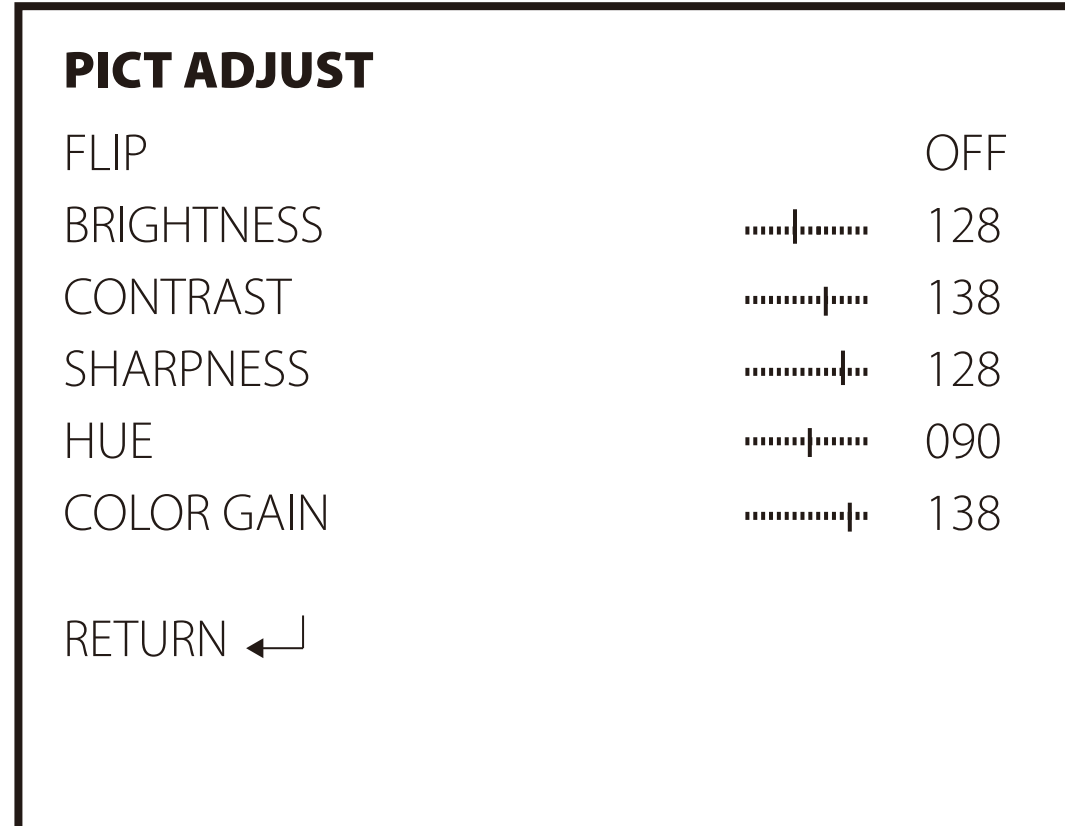
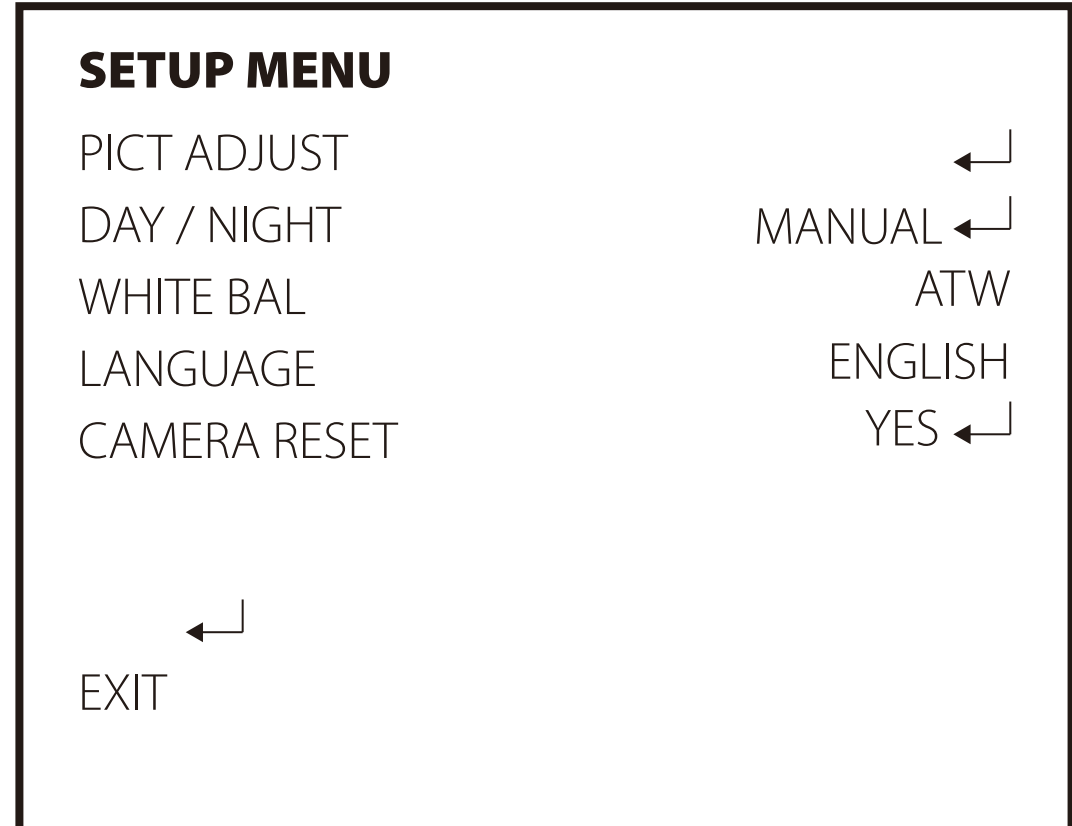
OSD Menu



- CLR: clear the ID character;
- Press the middle button to switch ON / OFF, then move to POS to enter the position adjustment.

Camera Menu

• SETUP MENU



- LANGUAGE (ENGLISH / DEUTSCH / FRANCAIS / PYCCKNN / PORTUGUES / ESPANOL / 中文)
- DAY / NAGHT (MANUAL / AUTO)
- WHITE BAL (ATW / PUSH / USER1 / USER2 / MANUAL / PUSH LOCK)

- FLIP (OFF / H-FLIP / V-FLIP / HV-FLIP)
- BRIGHTNESS (128 / 0-255)
- CONTRAST (138 / 0-255)
- SHARPNESS (128 / 0-255)
- HUE (90 / 0-180)
- COLOR GAIN (138 / 0-255)

Parameters

Model	RunCam Racer nano 2
Image Sensor	Super WDR CMOS Sensor
Horizontal Resolution	1000TVL
Lens	2.1mm (M8) FOV145° / 1.8mm (M8) FOV 160°
Screen Format	4:3 / 16:9 Switchable
Signal System	NTSC / PAL Switchable
Mirror System	Available
Integrated OSD	Yes
One touch Scene Setting	Personal / Lightrax / Darkness
S/N Ratio	>50dB
Electronic Shutter Speed	Auto
Min. Illumination	0.01Lux@1.2F
WDR	Super WDR
Day/Night	Color
Menu Control	Gesture Control / Joystick Control
Power	DC 5-36V
Working Current	100mA@5V / 40mA@12V
Housing Material	ABS
Net Weight	3.6g
Dimensions	L14mm*W14mm*H16mm