



TINY TX SERIES X8

8-CHANNEL 2.4GHZ DIGITAL RADIO

USER MANUAL 71025E

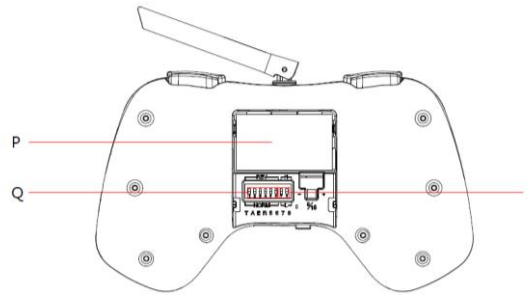
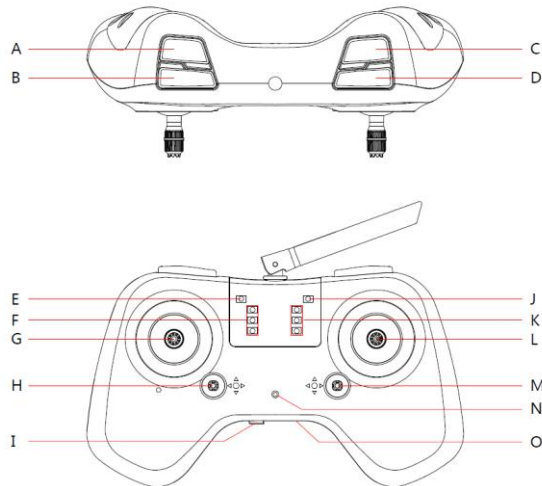
Thanks for purchasing **TINY TX** series

2.4GHz digital system, RF solution of this product use Texas Instruments CC2500 and CC2592, wireless protocol is compatible with SFHSS. X8 is a 8-channel easy to use radio for multirotor, X8 radio will help you simplify the setup, make you focus on fly.

<WHAT IN THE PACKET>

- X8 Radio x1
- 3.7V Lipo battery x1
- RX800-PRO micro receiver x1

<SCHEMATIC>



< SCHEMATIC DESCRIPTION >

- <A>: 5 channel downshifting key.
- : 5 channel upshifting key.
- <C>: 6 channel downshifting key.
- <D>: 6 channel upshifting key.
- <E>: power indicator: suggest charged battery when middle power

LED	Battery status
keeps on	High power (above 70%)
slow flash	Middle power (30%~10%)
fast flash + buzzer	Low power (less than 10%)

- <F>: 5 channel position switch indicator.

5 channel position switch indicator	channel REV OFF	channel REV ON
■	1800	1200
X	X	X
■	1200	1800

- <G>: Throttle / Rudder stick.
- <H>: Throttle / Rudder trim.
- <I>: Power Switch.
- <J>: RF indicator.
- <K>: 6 channel position switch indicator.

6 channel position switch indicator	channel REV OFF	channel REV ON
■	1800	1200
■	1500	1500
■	1200	1800

- <L>: Elevator / Aileron stick.
- <M>: Elevator / Aileron trim.
- <N>: Charging indicator, the indicator on mean charging.
- <O>: Micro USB, can charging the battery or update firmware.
- <P>: Battery compartment.
- <Q>: Channel REV switch.

Switch position	Setting status
■	Channel REV ON
■	Channel REV OFF (default)

- SW1 (T): Throttle channel REV switch.
- SW2 (A): Aileron channel REV switch.
- SW3 (E): Elevator channel REV switch.
- SW4 (R): Rudder channel REV switch.
- SW5 (5): 5 channel REV switch.
- SW6 (6): 6 channel REV switch.

- <R>: 7 & 8 channel switch :

Switch position	Status	Output value
■	H position	1800
■	L position (default)	1200

SW7 (7): 7 channel switch.

SW8 (8): 8 channel switch.

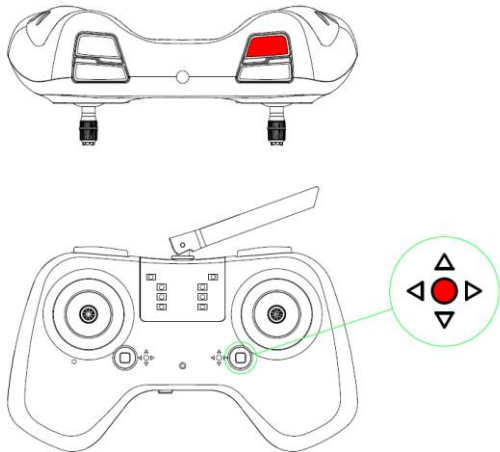
<CHANNEL DATA >

X8 radio support 8 channel output, channel sequence and rang as blow

	T	A	E	R	5CH	6CH	7CH	8CH
MIN	1050	1100	1100	1100	1200	1200	1200	1200
neutral	-	1500	1500	1500	-	1500	-	-
MAX	1950	1900	1900	1900	1800	1800	1800	1800

<STICK RE-CALIBRATION >

The stick of radio already calibration before leave factory, but after long time use maybe result bias, user can re-calibration the stick as follows: make sure the radio power OFF, keep throttle / rudder and elevator / aileron stick all in neutral position, press the red keys as shown below then power on, the radio will into < stick re-calibration > mode.



< stick re-calibration > will first run < neutral CAL.>, the LED indicator and the sound of buzzer will announce the calibration result. You can refer to the table below.

< neutral CAL.>	LED indicator	Buzzer
SUCCESS Neutral CAL. pass		Once
ERROR T/R stick not in neutral position		Always
ERROR E/A stick not in neutral position		Always
ERROE Both stick not in neutral position		Always

After < neutral CAL.> success, radio will run <range CAL.>, please shake stick to maximum rang.

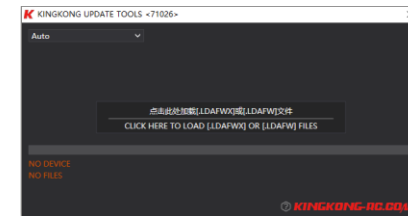
<range CAL.>	LED indicator	User action
T/R stick range calibration		
E/A stick range calibration		

< FIRMWARE UPDATE>

X8 radio support firmware update in WINDOWS 7/8/10, please download

PC software (KINGKONG UPDATE TOOLS.EXE), firmware use LDAFWX or LDAFW file extension, all the update files can download from website: KINGKONG-RC.COM/TX/X8. User MUST defer the following order :

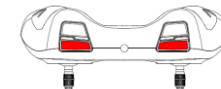
1. **DO NOT** connect the radio to USB port, open the PC software.



2. Connect the radio to USB port, if this is first time you connect the radiu to PC, install the driver of radio as follow.



3. Load the LDAFWX or LDAFW firmware.
4. Make sure radio is power off, press and hold the red key as follow, then power on, the radio will beep 321 and start update firmware.



<SUPPORT OPENSOURCE FIRMWARE>

TINY TX X8 is opensource in Github, we hope more and more people make good FW for us.

WEBSITE: GITHUB.COM/KINGKONG-RC/TINY-TX-X8

SPECIAL REMARKS: ● Please use opensource FW with great caution, untested FW may cause rx unstable or make drone lost of control ● Official FW use .LDAFWX extension, opensource FW use .LDAFW, the PC software will remind you when load the FW.