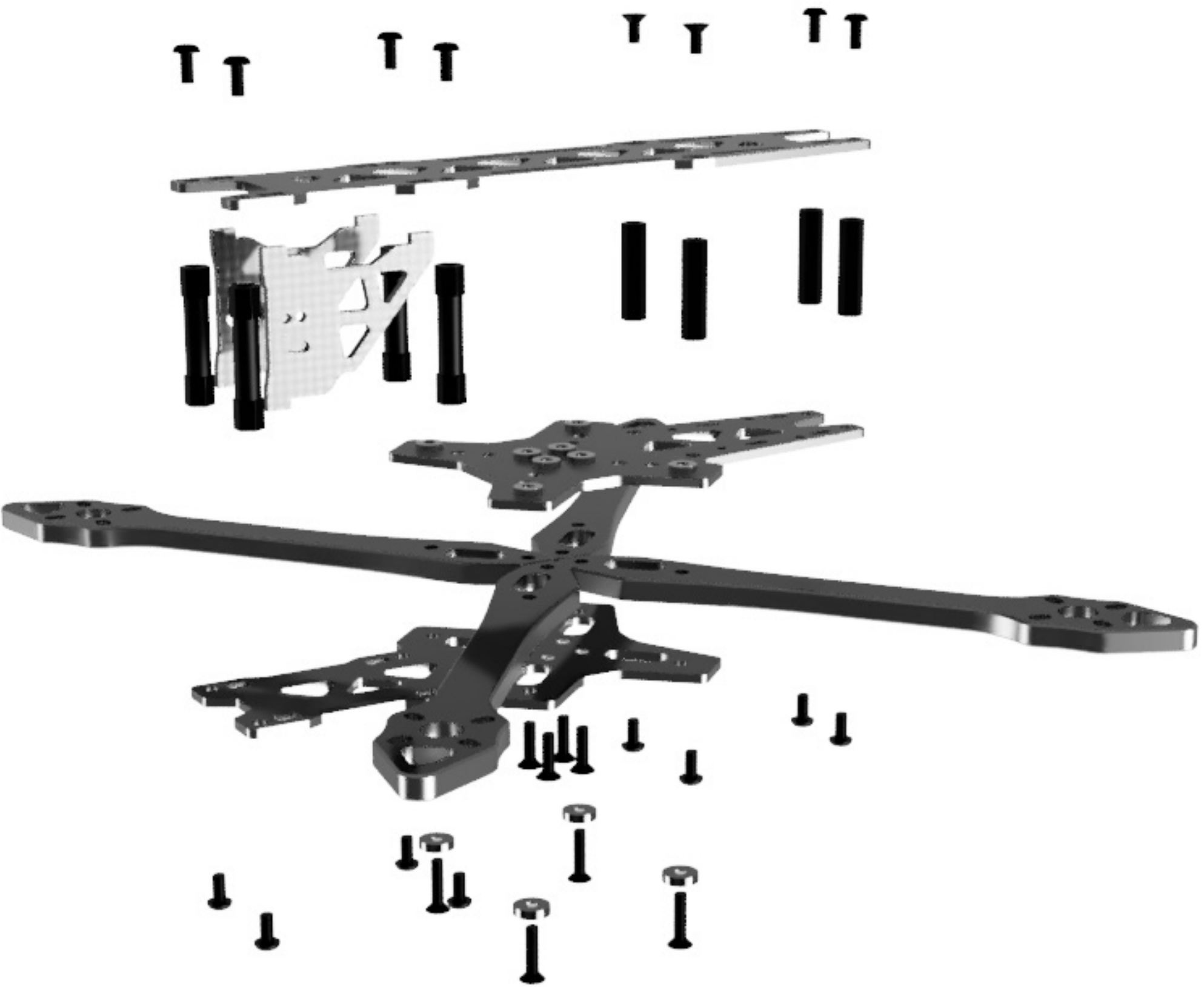


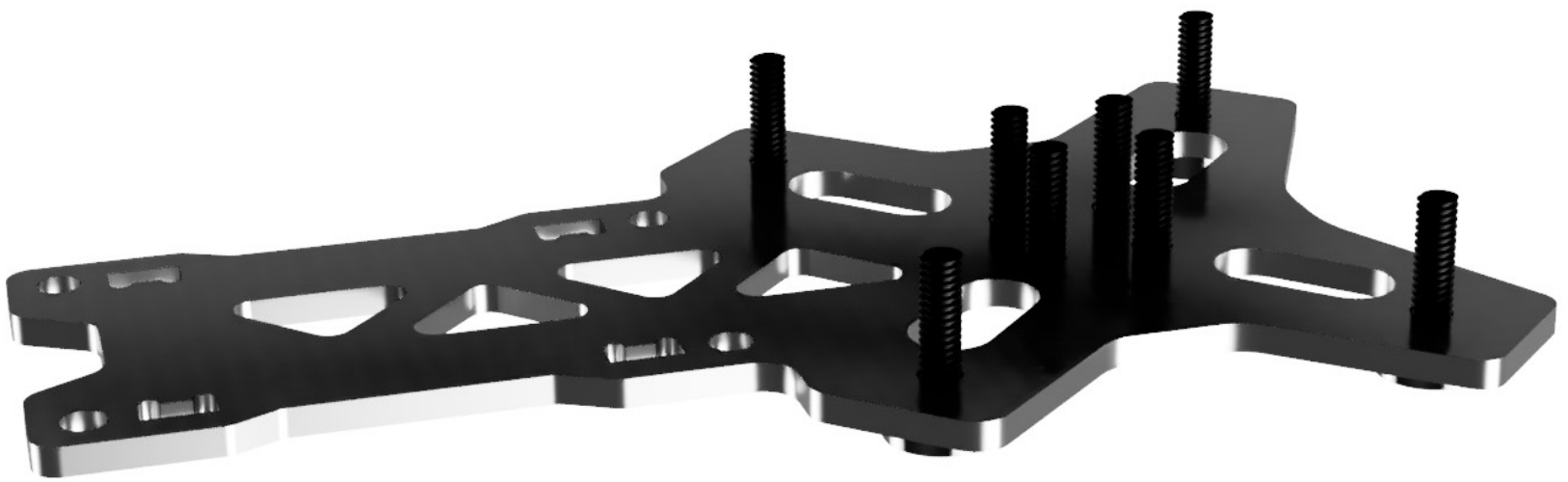
Creation Frames Freestyle / Cinematic Assemble Manual

General view



Insert 12mm countersunk screws on the edges of the bottom plate

Insert 10mm countersunk screws on the center of the bottom plate



Use aluminium nuts (4pcs) on a edges of a plate with 12mm screws



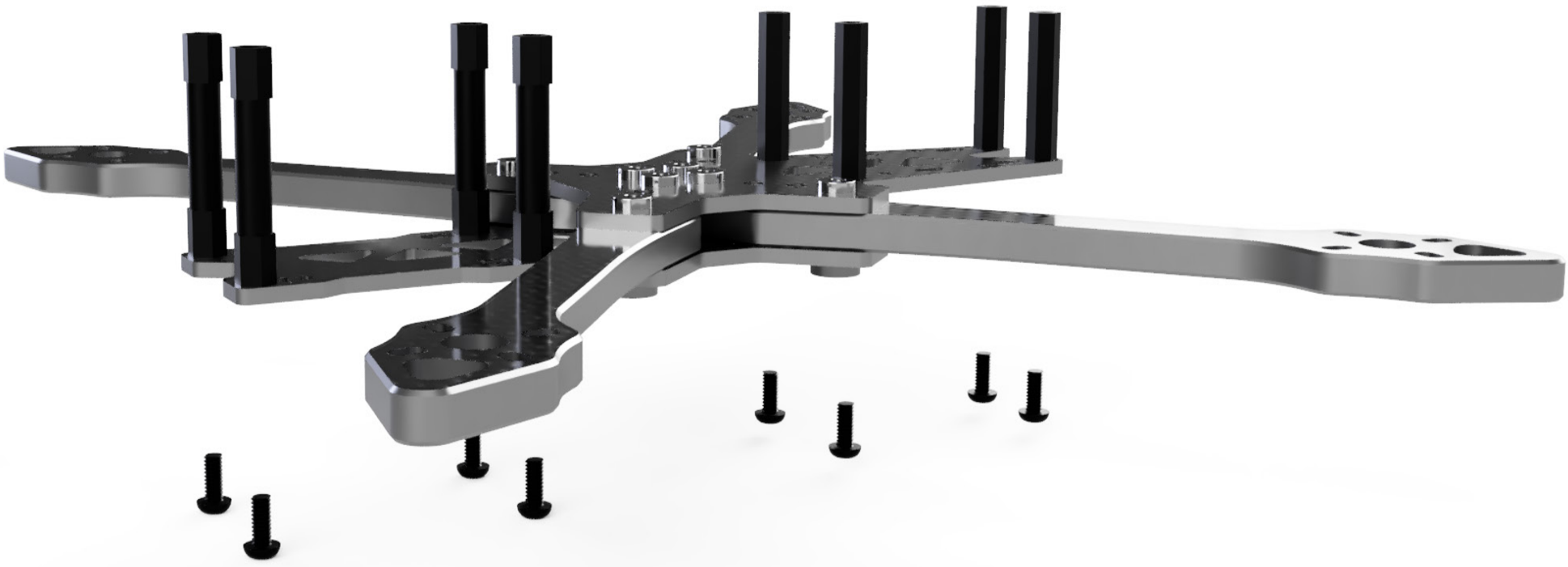
Attach the arms on a screws and
on a plate



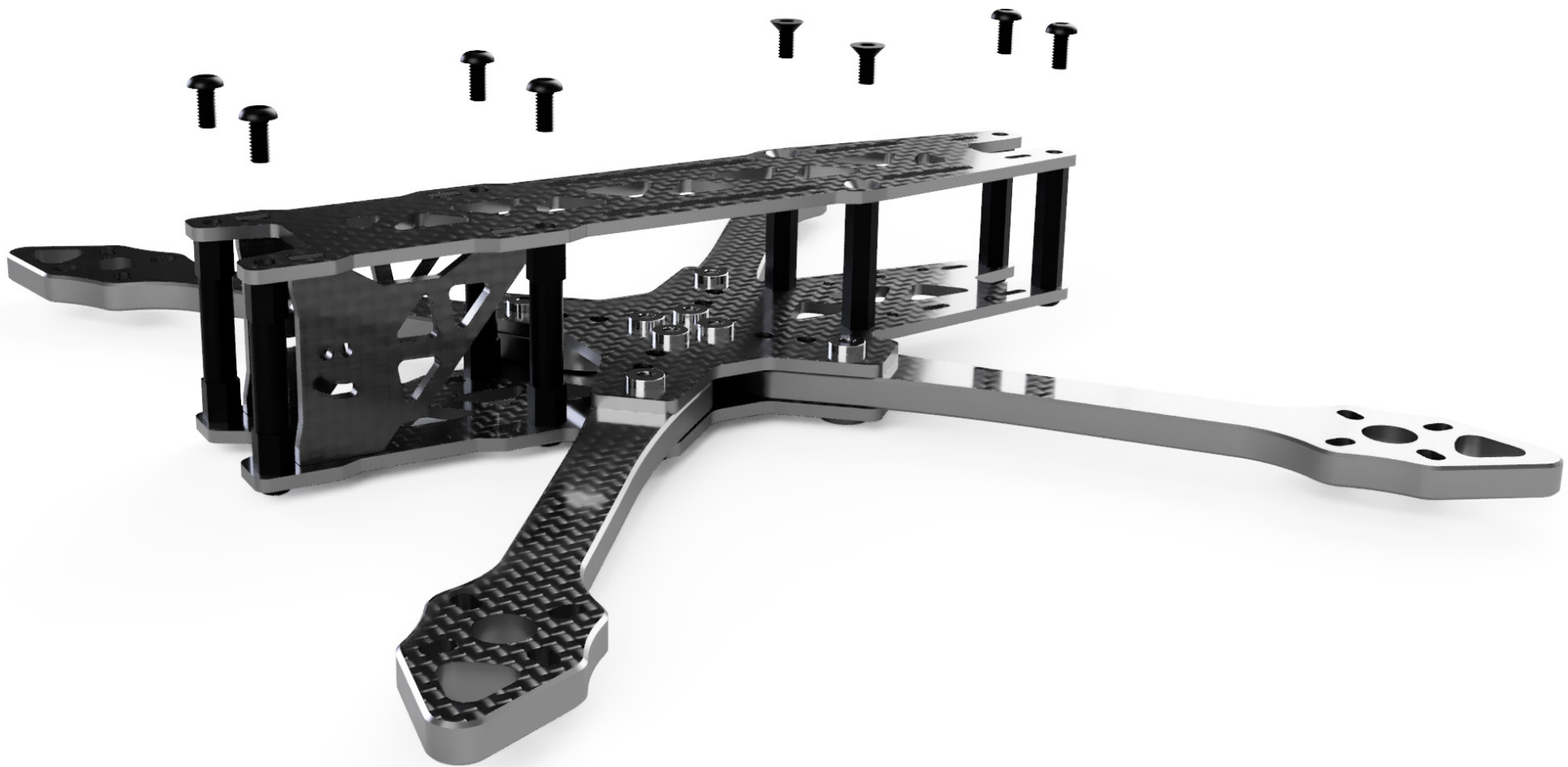
Attach the middle plate with pressnuts
on a top of arms



Attach the (4) 28mm and (4) 21mm standoffs to the plate with the 6mm screws from the botoom



Attach the top plate with the 6 6mm screws and 2 countersunk screws



How to use 3d printed accessories

