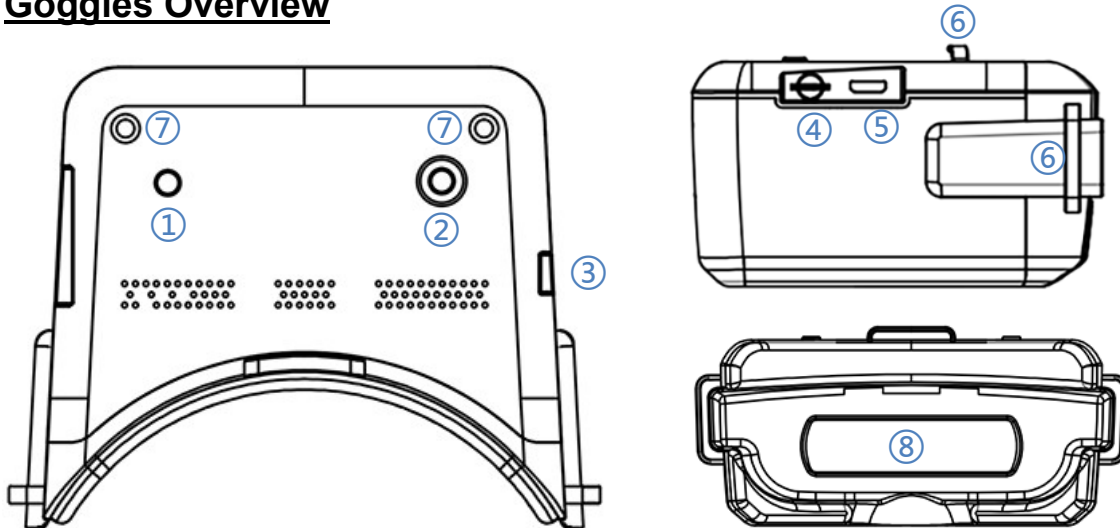


## Goggles Overview



1. Record Button
2. 5-Way Button (Up/Down/Left/Right/Center)
3. Power Port (DJI 4530)
4. MicroSD Card Slot
5. Mini HDMI Output
6. Head Strap Mount
7. Antenna Port (SMA Female)
8. Lenses

## Powering On

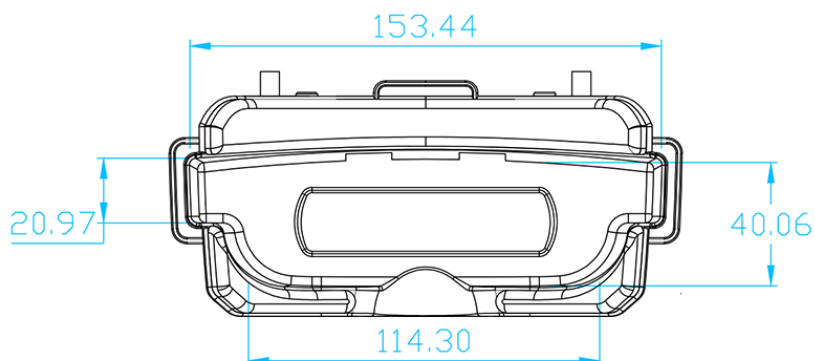
Connect the supplied power cable to an XT60 battery (2–6 S). The LED indicator will light up. Initial link with the sky unit may take ~30 seconds.

## Wearing the Goggles

Install antennas before use.

Adjust the head strap for comfort.

Eyeglass wearers can wear the goggles directly. Maximum eyeglass size is as shown in the diagram:



## Recording

Ensure the sky unit, goggles, and controller are all connected.

When inserting the SD card for the first time, it needs to be formatted in the

menu.

After inserting a MicroSD card, the goggles automatically record the live feed during flight and save it to the card.

Recording stops when motors stop.

Power off only after stopping recording to avoid file corruption .

If the card format is incompatible, go to *Menu > Format*.

## **Using the HD Goggles**

FPV flying does **not** meet VLOS (Visual Line of Sight) requirements in some regions. Follow local laws and fly only in safe, visible conditions.

Interface and functions may vary depending on firmware and aircraft model.

## **Goggles Buttons**

**Record Button:** Start/stop recording.

**5-Way Button:** Navigate menus, adjust parameters, and control playback.

## **Goggles Menu**

Press the center of the 5-way button to open the menu.

- **Bind:** Press center to confirm. Then power on sky unit and press its bind button.
- **Image Broadcast:** Toggle ON/OFF. When enabled, other goggles on the same channel can view the feed.
- **Power:** Adjust transmission power.
- **Backlight Brightness:** Adjust display brightness.
- **Loop Recording:** Adjust recording length.
- **Format:** Confirm to format the microSD card.
- **Language:** Switch between Chinese / English.
- **Exit:** Confirm to exit menu.

## **Video Playback Control**

Long-press the right button to enter playback mode.

In playback:

- Press center to pause/resume.
- Push left/right to rewind/fast-forward.  
Long-press right again to exit playback.

## **Menu**

Press the center button of the 5D button on the flight interface to open the Goggles Menu.

### **Pairing**

Press the **center button** to confirm. After confirmation, power on the Air Unit, then press and hold the pairing button on the Air Unit to establish the connection.

### **Video Broadcast**

Press the **left/right buttons** to toggle video broadcast ON/OFF. When broadcast is ON, other goggles can watch the video by switching to the same channel.

### **Transmission Power**

Press the **left/right buttons** to adjust the transmission power setting.

### **Backlight Brightness**

Press the **left/right buttons** to adjust the backlight brightness.

### **Loop Recording**

Press the **left/right buttons** to adjust the loop recording duration.

### **Format**

Press the **center button** to confirm. "Confirm formatting?" -> Confirm.

### **Language**

Press the **left/right buttons** to switch the language setting: Chinese / English.

### **Exit**

Press the **center button** to confirm and exit the menu.

### **Quick Button Function**

Swipe the **5D button to the left** to quickly cycle through channels CH1 to CH5.

## **Video Storage & Export**

**Storage:** Goggles record video to the inserted microSD card when recording is active.

**Export:** Remove the card and use a card reader to transfer files to a computer.

**Format:** *Menu > Settings > Format > OK > Confirm.* All data will be erased.

## **Sharing the Video Feed**

In the goggles menu, select *Image Broadcast > ON*.

Other Hawkeye goggles tuned to the same channel can view the shared feed.

## **HDMI output**

Mini HDMI port ; Resolution: 1080P 60FPS.

Note: The video output is exclusive to either the goggle's internal display or the HDMI port; they cannot be active simultaneously.

## **Cleaning & Maintenance**

Clean outer surfaces with a soft dry cloth.

Clean lenses using a microfiber lens cloth in circular motions from center outward.

Do **not** use alcohol on optical components.

Avoid strong pressure to prevent lens wear.

Do not use alcohol or corrosive cleaners on the face mask or inner padding.

Do not scratch or peel the mask or battery compartment padding.

Store goggles in a cool, dry environment.

High temperature or humidity may reduce display performance or damage optical components.

Avoid direct sunlight exposure to lenses to prevent screen burn-in.