

# 东莞市银燕电气科技有限公司

## 规格书

客户名称: \_\_\_\_\_

Customer

规格型号: ES3059MD 舵机 (数码金塑混合齿)

Part No. \_\_\_\_\_

文件编号: \_\_\_\_\_

File No. \_\_\_\_\_

客户确认 Customer Approved	料号 Part No.		签章 Signatures	日期 Date
EMAX Approved	拟制 Drawn	审核 Check	批准 Approved	批准日期 Date
	杨超			2021/11/30

地址:东莞市常平镇还珠沥村高隆工业区银燕工业园

Add:EMAX Industrial Park, Gao-Long Industrial Zone,Huanzhuli Village,Changping Town,Dongguan,Guangdong Province,China 电话/Tel:+86-769-82982600/01 传真/Fax:+86-769-82982602

TTTP://www.yinyanmodel.com

使用环境 Working's Environment:

No.	Item	
1	储存温度 Storage temperature Range	-20°C~65°C
2	运行温度 Operating temperature Range	-10°C~55°C

电气特性 Electrical Specification (Function of the Performance):

No.	Item	4.8V	6.0V
1	空载速度 (±10%) Operating speed (at no load)	0.13 sec/60°	0.11 sec/60°
2	空载电流 Running current (at no load)	250mA Max	300mA Max
3	堵转扭矩 Stall torque	1.8kg.cm Max	2.1kg.cm Max
4	堵转电流 Maximum current	0.8A Max	1.0A Max
5	静态电流 Idle Current	7.4mA	7.4mA

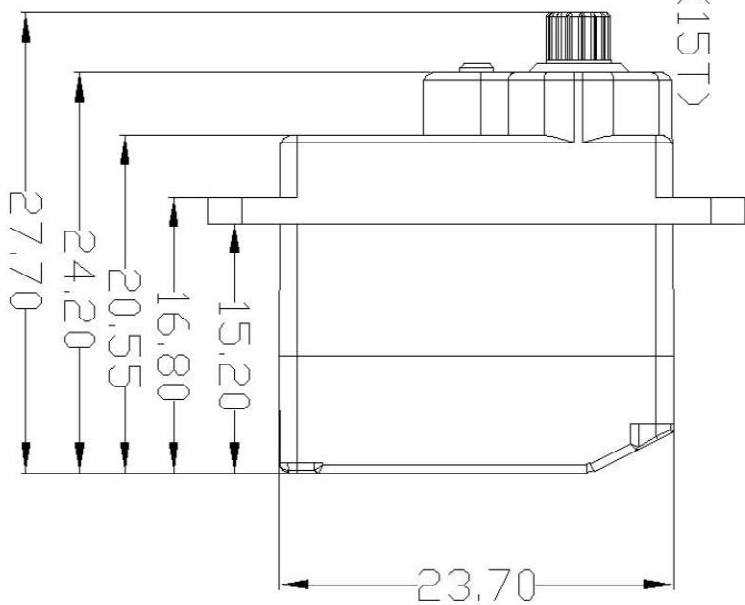
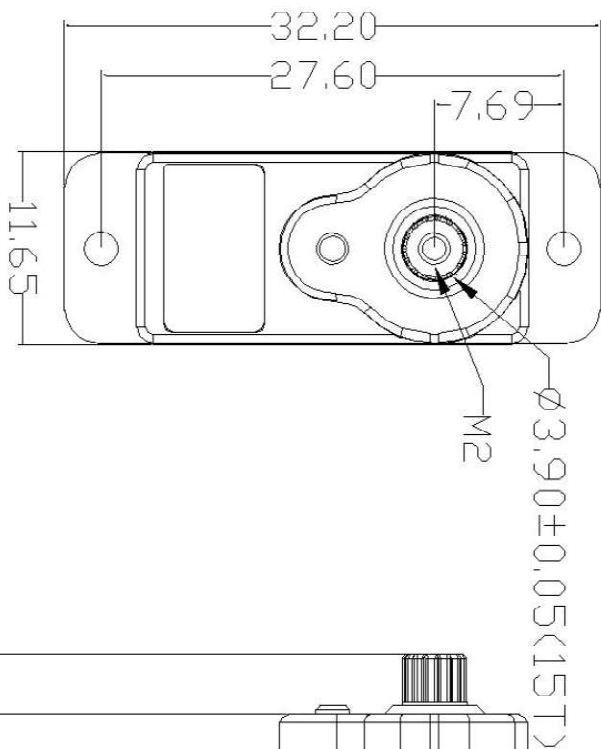
机械特性 Mechanical Specification:

No.	Item	Specification
1	外观尺寸 Overall Dimensions	见成品图
2	重量 Weight	12.3 ± 0.5g
3	端子规格 Connector wire gauge	JR
4	3P 线长度 (单位: mm) Connector wire length	250 ± 8 (不含端子)
5	花头 Flower head	15T
6	轴承 Bearing	NO
7	齿轮类型 Gear type	3metal gear +3plastic gear
8	极限角度 Extreme angle	360°

控制特性 Control Specification:

No.	Item	Specification
1	控制系统 Control system	PWM
2	操作角度 Operating travel	90° ± 8° ( when 1000-2000 μ sec )
3	中立位置 Neutral position	1500 μ sec
4	旋转方向 Rotating direction	Counter Clockwise / Pulse Traveling 1500 to 1900 μ sec
5	脉波宽度范围 Pulse width range	500-2500 μ sec
6	可作动角度范围 Maximum travel	180° ± 10° ( 500-2500μ sec )

成品图 V1.0



No.:	CHANGE ITEM	CHANGE BEFORE	CHANGE AFTER	DATE	CHANGER

TITLE: ES3059MD	Date: 2021/11/30	Sheet: 1/1	Units: mm
Dr.by: YC	App.by:	Scale: N.A.	
Clk.by:	Tol.: $\times\times\times\pm 0.2$		

A B C D