

东莞市银燕电气科技有限公司

规格书

客户名称: _____

Customer

规格型号: ES08MA II 舵机 (模拟金属)

Part No. _____

文件编号: _____

File No. _____

| | | | | |
|------------------------------|----------------|-------------|------------------|--------------|
| 客户确认 Customer Approved | 料号 Part No. | | 签章 Signatures | 日期 Date |
| | | | | |
| EMAX Approved | 拟制 Drawn | 审核 Check | 批准 Approved | 批准日期 Date |
| | 杨超 | | | 2020/06/03 |

地址:东莞市常平镇还珠沥村高隆工业区银燕工业园

Add:EMAX Industrial Park, Gao-Long Industrial Zone,Huanzhuli Village,Changping Town,Dongguan,Guangdong Province,China 电话/Tel:+86-769-82982600/01 传真/Fax:+86-769-82982602

TTTP://www.yinyanmodel.com

使用环境 Working's Environment:

| No. | Item | |
|-----|----------------------------------|------------|
| 1 | 储存温度 Storage temperature Range | -20°C~70°C |
| 2 | 运行温度 Operating temperature Range | -10°C~60°C |

电气特性 Electrical Specification (Function of the Performance):

| No. | Item | 4.8V | 6.0V |
|-----|--|--------------|--------------|
| 1 | 空载速度 (±10%) Operating speed (at no load) | 0.14 sec/60° | 0.12 sec/60° |
| 2 | 空载电流 Running current (at no load) | 200mA Max | 250mA Max |
| 3 | 堵转扭矩 Stall torque | 1.6kg.cm Max | 2.0kg.cm Max |
| 4 | 堵转电流 Maximum current | 0.9A Max | 1.1A Max |
| 5 | 静态电流 Idle Current | 6.5mA | 6.5mA |

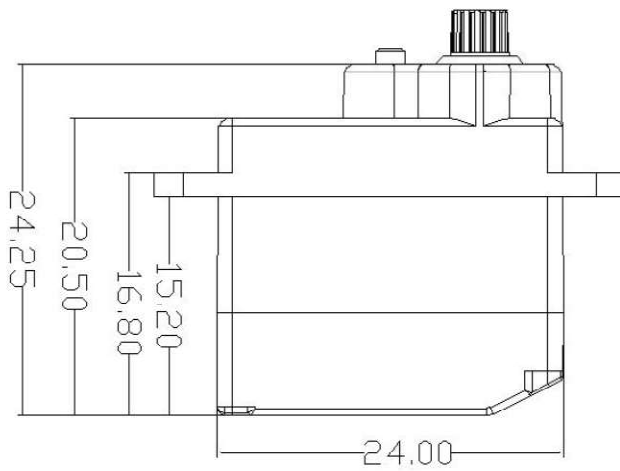
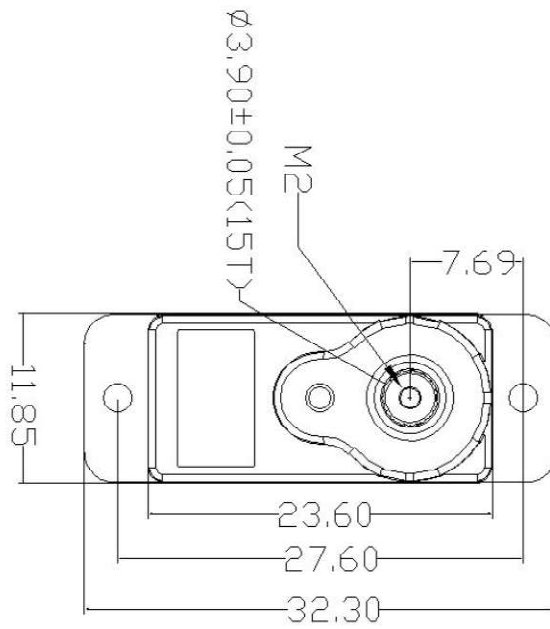
机械特性 Mechanical Specification:

| No. | Item | Specification |
|-----|---------------------------------------|----------------|
| 1 | 外观尺寸 Overall Dimensions | 见成品图 |
| 2 | 重量 Weight | 12 ± 1 g |
| 3 | 端子规格 Connector wire gauge | JR |
| 4 | 3P 线长度 (单位: mm) Connector wire length | 250 ± 8 (不含端子) |
| 5 | 花头 Flower head | 15T |
| 6 | 轴承 Bearing | NO |
| 7 | 齿轮类型 Gear type | metal |
| 8 | 极限角度 Extreme angle | 360° |

控制特性 Control Specification:

| No. | Item | Specification |
|-----|--------------------------|--|
| 1 | 控制系统 Control system | PWM |
| 2 | 操作角度 Operating travel | 95° ± 10° (when 1000-2000 μ sec) |
| 3 | 中立位置 Neutral position | 1500 μ sec |
| 4 | 旋转方向 Rotating direction | Counter Clockwise / Pulse Traveling 1500 to 1900 μ sec |
| 5 | 脉波宽度范围 Pulse width range | 600-2400 μ sec |
| 6 | 可作动角度范围 Maximum travel | 170° ± 10° (600-2400μ sec) |

外形图 V1.0



| | | | | | |
|------|-------------|---------------|--------------|------|---------|
| 1 | 2 | 3 | 4 | 5 | 6 |
| No.: | CHANGE ITEM | CHANGE BEFORE | CHANGE AFTER | DATE | CHANGER |

| | | | | |
|------------------|---------|------------------|--------------------------------------|-------------|
| TITLE: ES08舵机外形图 | | Date: 2018/04/27 | Sheet: 1/1 | Units: mm |
| Dr.by: YC | Clk.by: | App.by: | Tol.: $\times \times \times \pm 0.2$ | Scale: N.A. |

