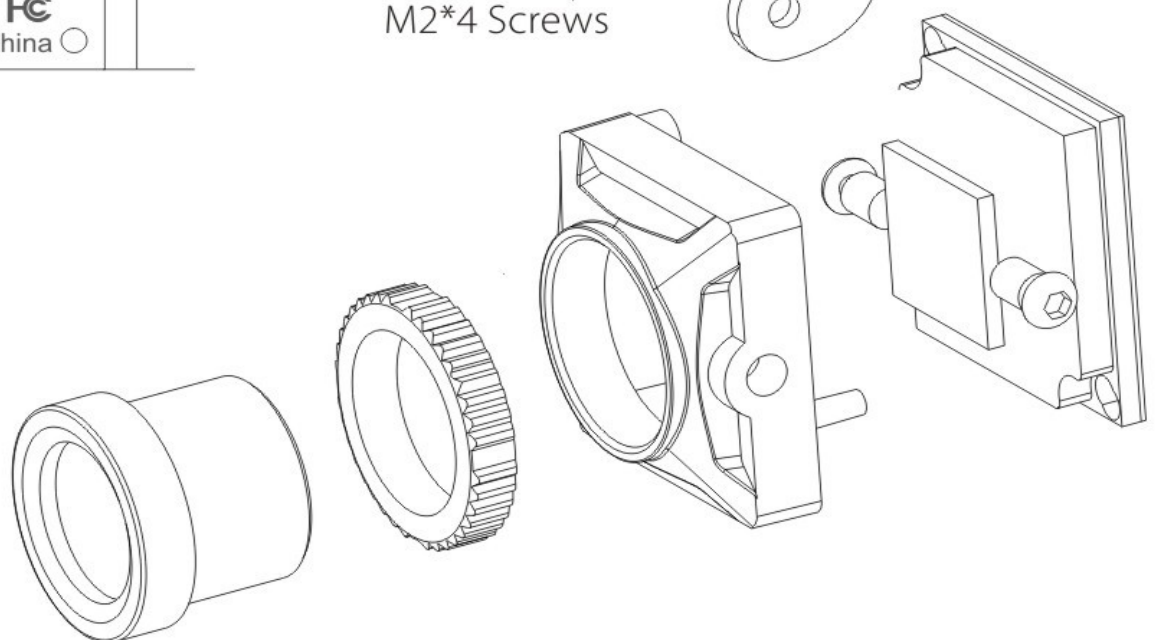
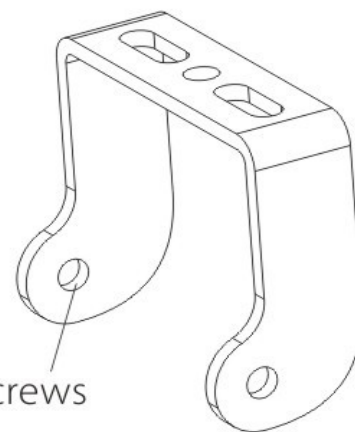
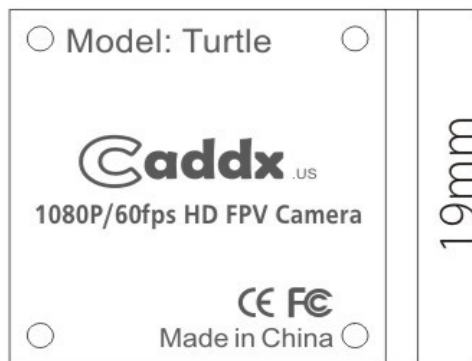
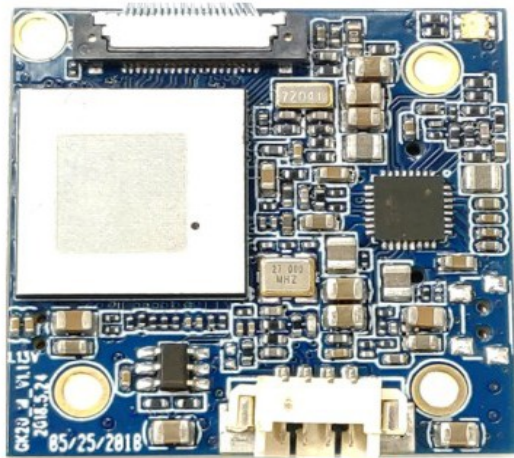


Turbo Turtle

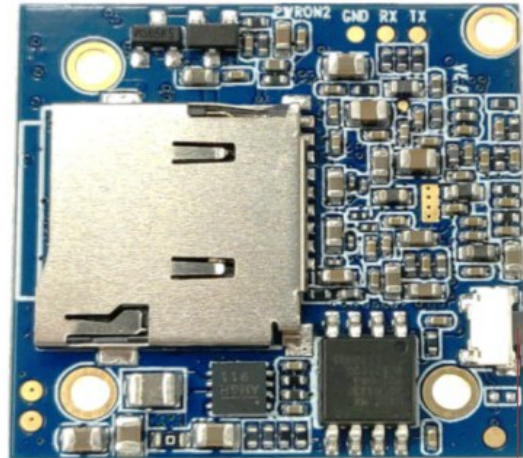
Quick operation guide



1. **RIGHT BUTTON** Press the RIGHT button for 3s-5s to activate video recording, in the meanwhile the light on the lower right corner will flicker.
 2. **LEFT BUTTON** Press the LEFT button for 3s-5s to stop video recording.
 3. **DOWN BUTTON** Press the DOWN button for 3s-5s to switch the resolution, 720P with Blue LED on, 1080P with Red LED on, the default mode is 1080P.
- MIDDLE BUTTON** The MIDDLE button is menu button.



MENU
VIDEO
GND
VCC



Press 1s, Start/Stop Recording
Press 5s, Turn on/off the camera

Notice: The camera need at least 8G Class 10 SD card.

Notes: If the power is cut accidentally when video recording, please power on again, then the camera will automatically restore the memory, and the video records before power cut will be still saved in TF card.

Model	Turtle
Image Sensor	1/2.7" CMOS Sensor
Horizontal Resolution	800TVL
Video Resolution	1080P@60fps / 720@60fps
FOV Angle of Field	FPV FOV 155° / Recording FOV 170°
TV System	NTSC/PAL (changeable)
Image Resolution	2 Megapixels
Min. Illumination	0.1LUX
Lens	Full Size Turbo Eye Lens
WDR	Super WDR
OSD Menu	Yes (Support Voltage Display)
Video Files	MOV
Electronic Shutter	PAL: 1/50~100,000; NTSC: 1/60~100,000
S/N Ratio	>60dB (AGC OFF)
Video Output	CVBS
SD Card Supported	8G-64GB (need Class 10 or above, recommend Class 10/UHS-I/UHS-II)
Dimensions	28*29mm / Camera 19*19mm (installed with 20*20mm, expand to 30*30mm)
Power Input	DC 4.5-20V
Working Current	380mA @5V/160mA @12V (low consumption)
Work Temperature	-20°C~+60°C
Weight	12g